



**2.4GHz**  
Version

**AGES 14+**  
适用于年龄14岁以上



长度	560毫米	Length	460mm (18.11 Inches)
前轮距	345毫米	Front Track	280mm (11.02 Inches)
后轮距	345毫米	Rear Track	330mm (12.99 Inches)
轴距	335毫米	Wheelbase	95mm (3.74 Inches)
轮胎	直径130毫米 宽70毫米	Tire	Diameter, 5.11 Inches (130mm) Width, 2.75 Inches(70mm)

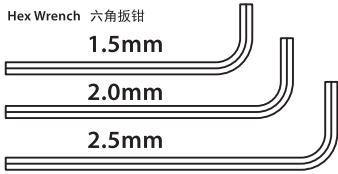
- \* 全车采用双差速粉末金速伞齿轮+CNC轴；
- \* 高性能模型滚动轴承；
- \* 超强抓地力、超耐磨橡胶轮胎；
- \* 全车采用高性能超强抗冲击复合尼龙工程塑胶材料；
- \* 采用模型专用高放电镍氢、锂电池；
- \* 采用模型专用无刷马达；
- \* 采用高反应、大功率无刷电子调速器；
- \* 4支油压阻尼避震；
- \* 前后4个一体化避震护罩；
- \* 采用金属可调节摩擦器；
- \* 采用金属前后主传动轴连接器。

- \* Twin Differential Sintered Hardened Steel Bevel Gears With CNC.
- \* Axis High-speed Ball Bearings.
- \* Great grip and super wear-resisting rubber tires.
- \* High Performance Ultra Rugged Composite Nylon Materials.
- \* Advanced High Discharge, High Capacity And High Power NIMH & LI-PO Battery Technology.
- \* Professional Hobby Brushless Motor.
- \* Ultra-Smooth, High-Frequency Operation And High-Power Handling Capability Brushless Esc.
- \* 4 x Oil-Filled Damp Shocks.
- \* Ago Rear Integrated Shock Guards.
- \* Adjustable Alloy Slipper Clutch.
- \* Front and Rear hardened steel Center Driveshaft hub.

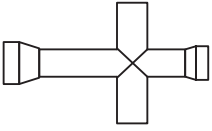
## Addition Accessories 配送工具

## Tools Recommended 推荐工具

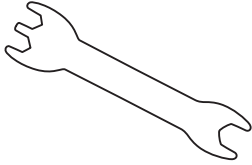
Hex Wrench 六角扳钳



Small Cross Tool 小十字套筒

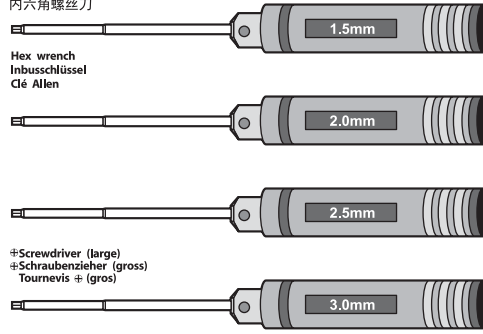


Wrench(small) 扳手(小的)



Hex screwdrivers

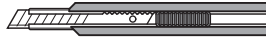
内六角螺丝刀



Hex wrench  
Inbusschlüssel  
Clé Allen

✦Screwdriver (large)  
✦Schraubenzieher (gross)  
Tournevis ✦ (gros)

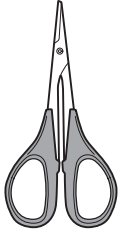
Modeling knife  
Modellermesser  
Couteau de modeliste  
刮刀



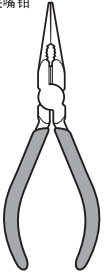
Side cutter  
Seitenschneider  
Pinces coupantes  
剪钳



Curved scissors  
Schere  
Ciseaux  
剪刀



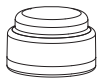
Long nose pliers  
Flachzange  
Pinces à becs longs  
尖端钳



Model Glue  
模型胶水



A2022T



D5404



P2022D



P2022E



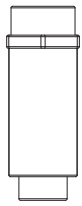
P2022F



P2022K



P2022A



P2049A



F5107

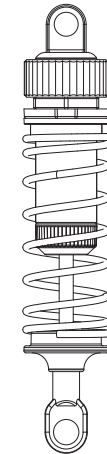


F5108



P3961

Shock Absorber Assembly Front  
前避震器



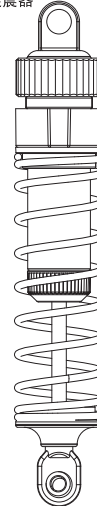
P3962

Shock Absorber Assembly Front  
前避震器



P3963

Shock Absorber Assembly Rear  
后避震器



M5311



P2022I



P2022M



P2030A



P2022N



P2022S



D5401

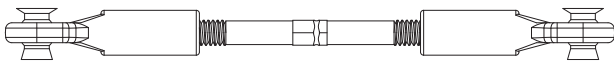


M5317



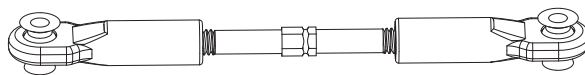
P3976

Steering Rod ends  
转向拉杆



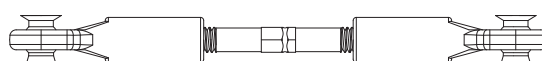
P3975

Rod ends front  
前拉杆



P3977

Rod ends rear  
后拉杆

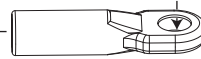


M5311

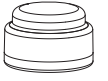


P3975 / P3976 / P3977

M5311



A2022T



M5311



D5404

M5317

P2022K

F5107

P2022A

P2022F

P2022E

D5401

P2022N

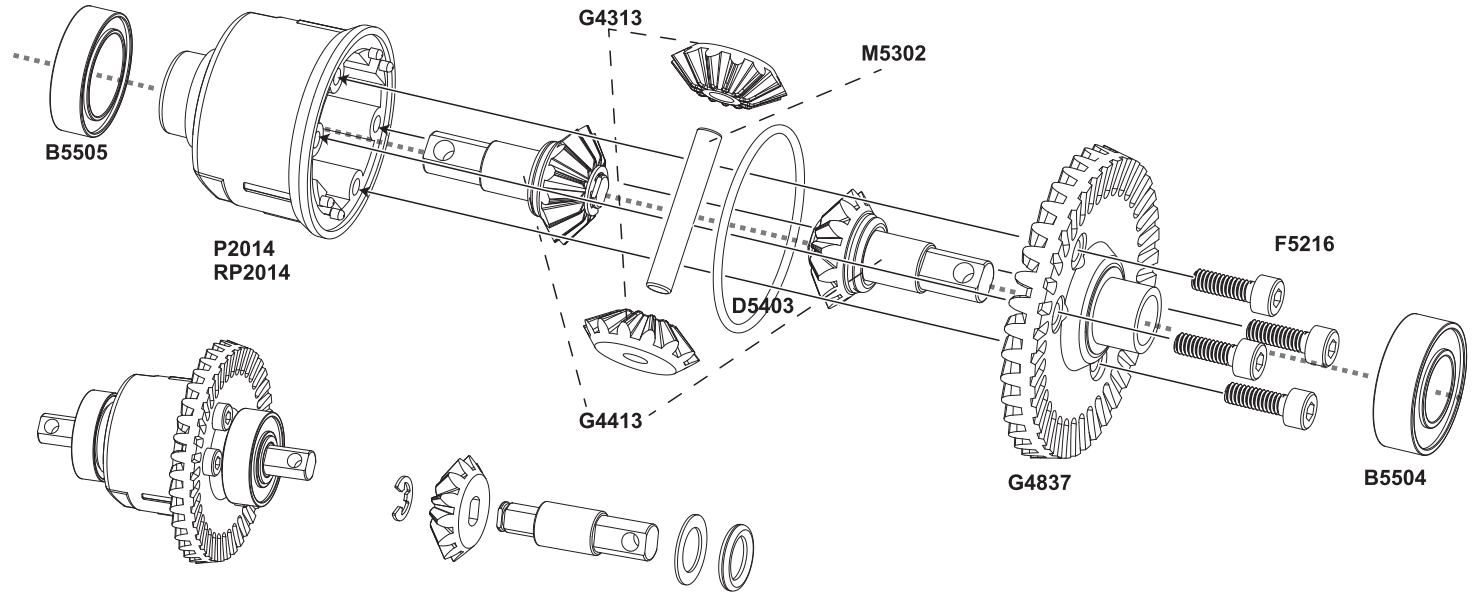
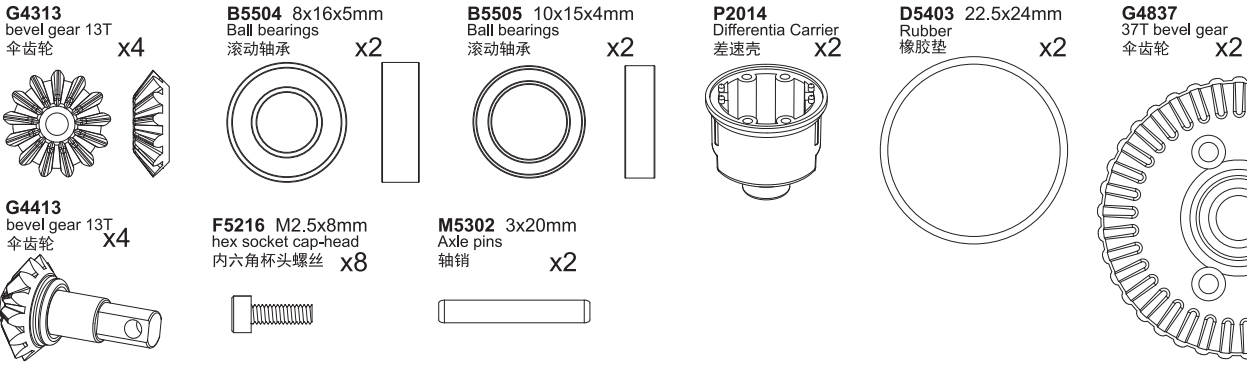
P2022D

P2022M

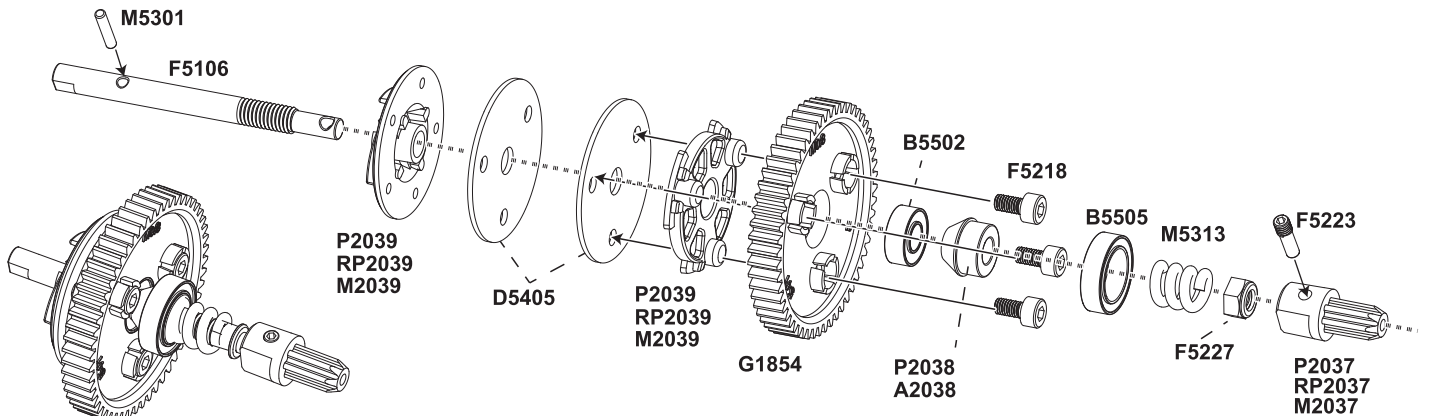
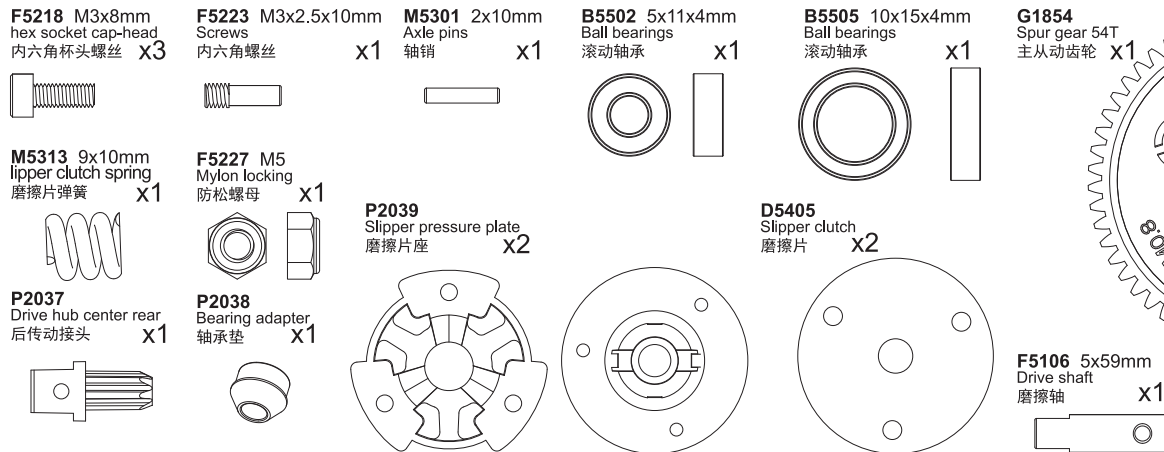
M5311

P2030A

## Front/Rear Differential Gear Assembly 前后差速器总成



## Throttle Gear with Slipper Clutch System Assembly 减速齿轮和摩擦离合器系统总成



## Front Differential Gear Box Assembly 前差速箱总成

**F5223** M3x2.5x10mm  
Screws  
内六角螺丝 x1



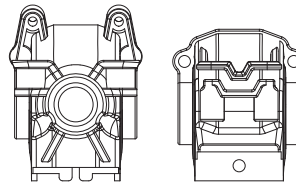
**F5204** M3x10mm  
hex socket button head  
内六角半圆头螺丝 x2



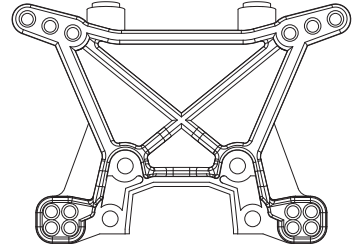
**F5206** M3x15mm  
hex socket button head  
内六角半圆头螺丝 x2



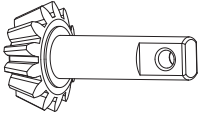
**P2013**  
Housings differential front  
前差速箱壳 x2



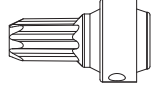
**P2023**  
Shock tower front  
前减震器座 x1



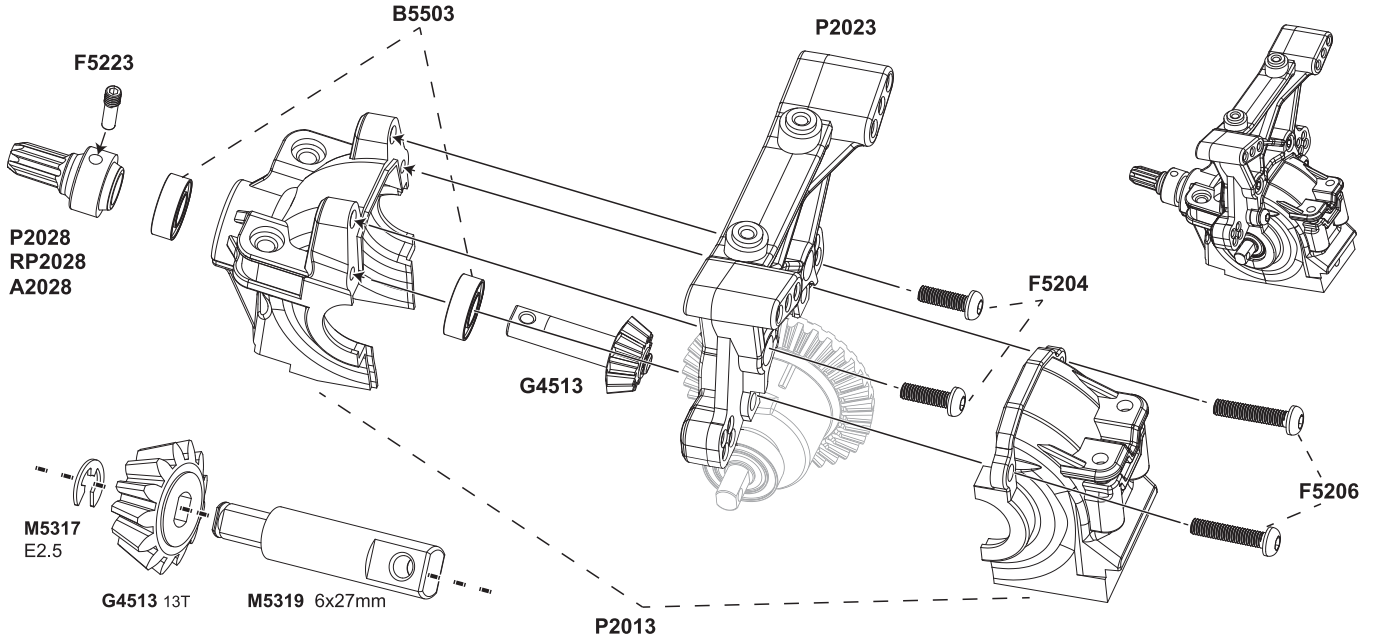
**G4513** x1



**P2028**  
Drive hub center front  
前传动接头 x1



**B5503** 6x12x4mm  
Ball bearings  
滚动轴承 x2



## Rear Differential Gear Box Assembly 后差速箱总成

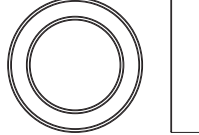
**F5204** M3x10mm  
hex socket button head  
内六角半圆头螺丝 x2



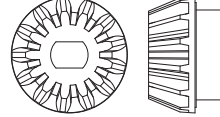
**F5206** M3x15mm  
hex socket button head  
内六角半圆头螺丝 x2



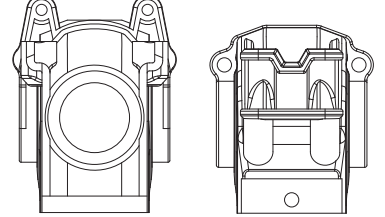
**B5506** 12x18x4mm  
Ball bearings  
滚动轴承 x1



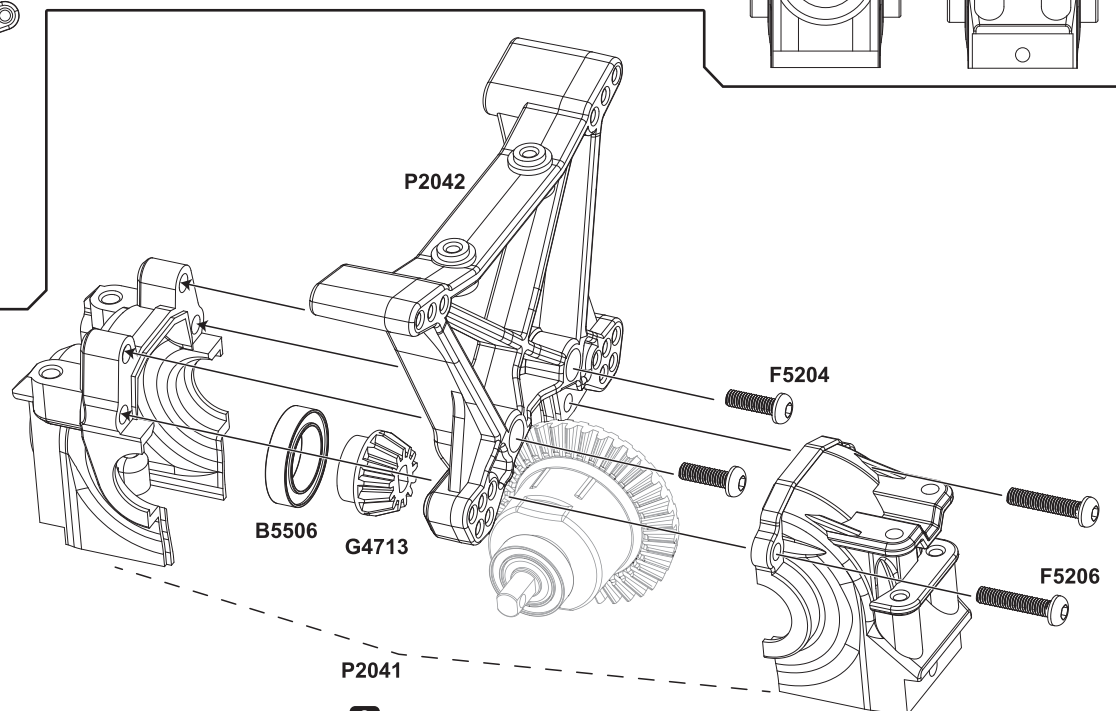
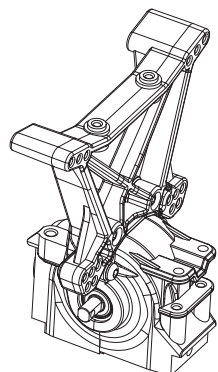
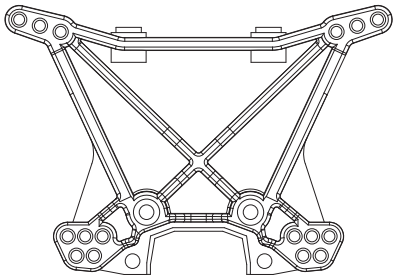
**G47 13**  
bevel gear 13T  
伞齿轮 x1



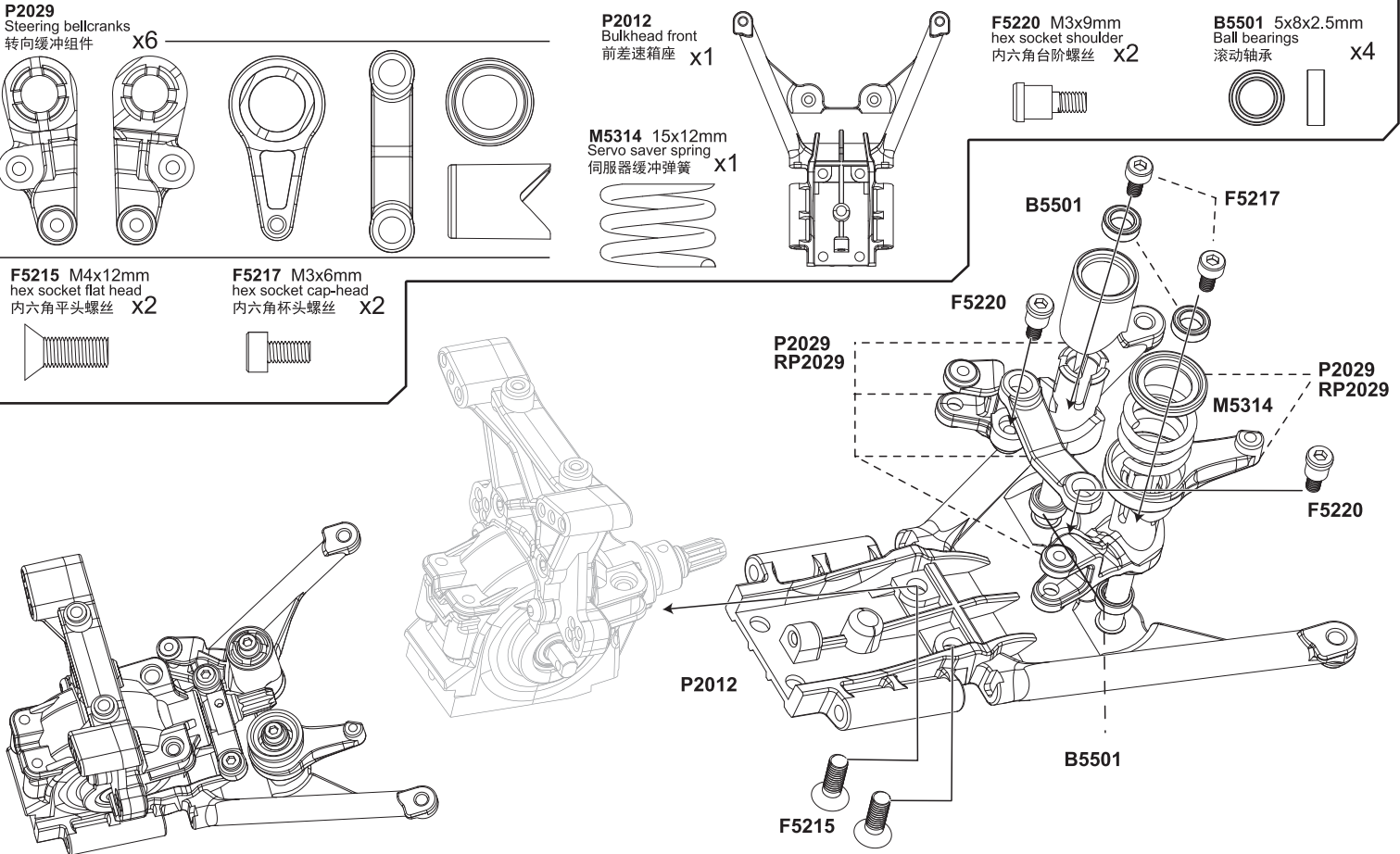
**P2041**  
Housings differential rear  
后差速箱壳 x2



**P2042**  
Shock tower rear  
后减震器座 x1

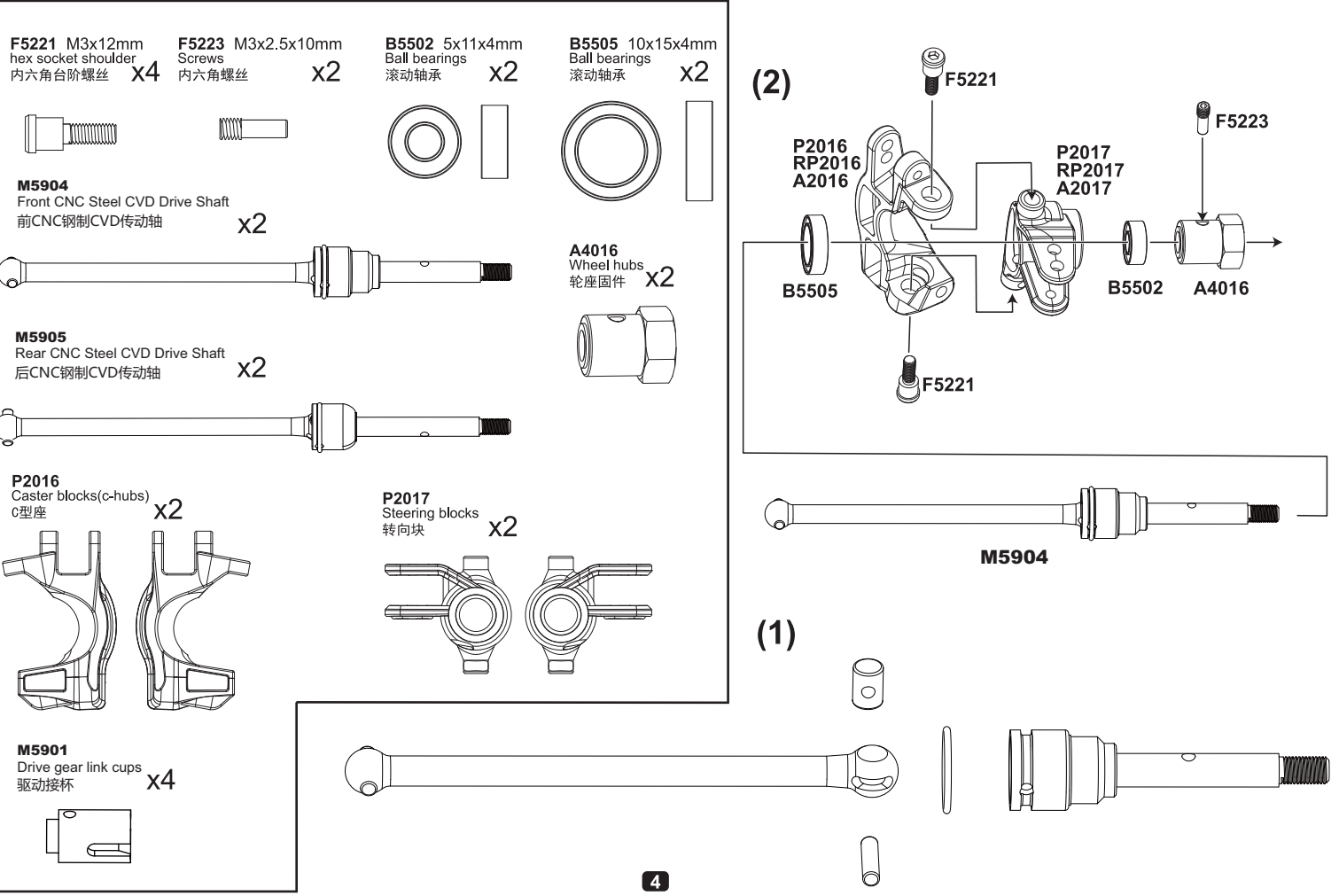


# Servo Saver/Steering Assembly 转向缓冲总成



## (1) Front Rear Universal Coupling Drive Joint 前后万向联轴器总成

## (2) Steering Hubs Assembly 转向杯总成



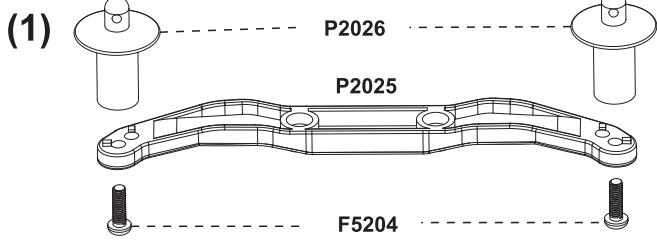
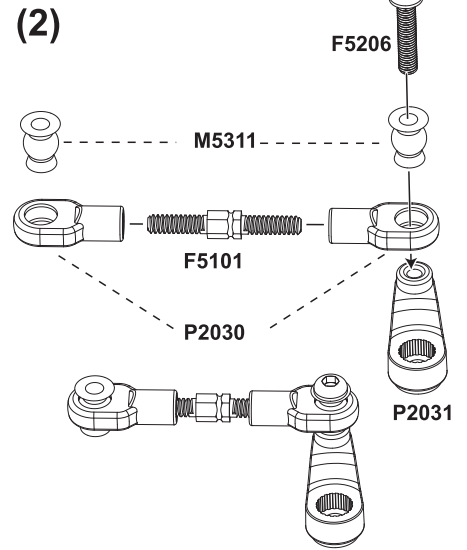
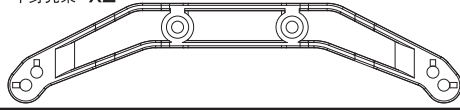
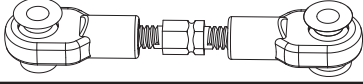
(1) Front/Rear Body brace Assembly 前后车壳支架  
 (2) Servo Arm/Steering Arm Assembly 伺服器摇臂拉杆

- P2026** Body mount body post 车身壳架立柱 X4  
**F5204** M3x10mm hex socket button head 内六角半圆头螺丝 X4  
**F5206** M3x15mm hex socket button head 内六角半圆头螺丝 X1  
**P2031** Servo Arm 伺服器臂 X1



- P2030** Linkage steering 伺服器拉杆 X1

- P2025** Body mount 车身壳架 X2



Front Unit Complete 前部份总成

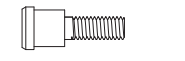
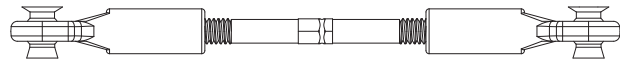
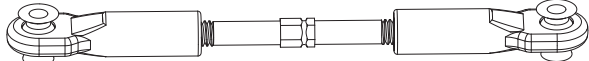
- F5223** M3x2.5x10mm Screws 内六角螺丝 X2  
**F5204** M3x10mm hex socket button head 内六角半圆头螺丝 X4  
**F5206** M3x15mm hex socket button head 内六角半圆头螺丝 X11  
**F5231** M3x18mm hex socket button head 内六角半圆头螺丝 X4  
**F5213** M3x14mm hex socket flat head 内六角平头螺丝 X2  
**F5214** M4x10mm hex socket flat head 内六角平头螺丝 X1  
**F5215** M4x12mm hex socket flat head 内六角平头螺丝 X2  
**F5208** M4x10mm hex socket button head 内六角半圆头螺丝 X2



- P3975** Rod ends front 前拉杆 X2

- P3976** Steering Rod ends 转向拉杆 X2

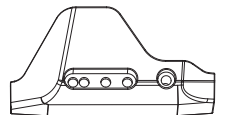
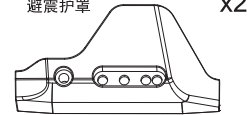
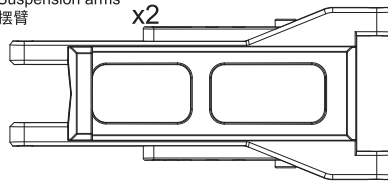
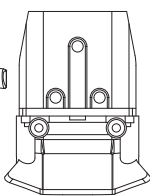
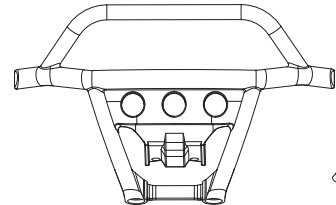
- F5221** M3x12mm hex socket shoulder 内六角台阶螺丝 X2



- P2057** Bumper front 前保险杠 X2

- P2015** Suspension arms 摆臂 X2

- P2051** Integrated Shock Guards 避震护罩 X2



- M5303** 3.2x52mm Axle pins 轴销 X2

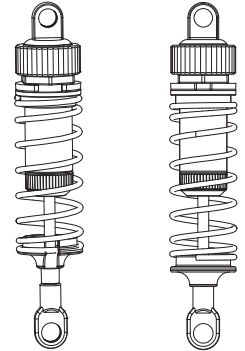


- A4001** 91x62mm Bulkhead tie bars front 前摇臂杆铝片 X1

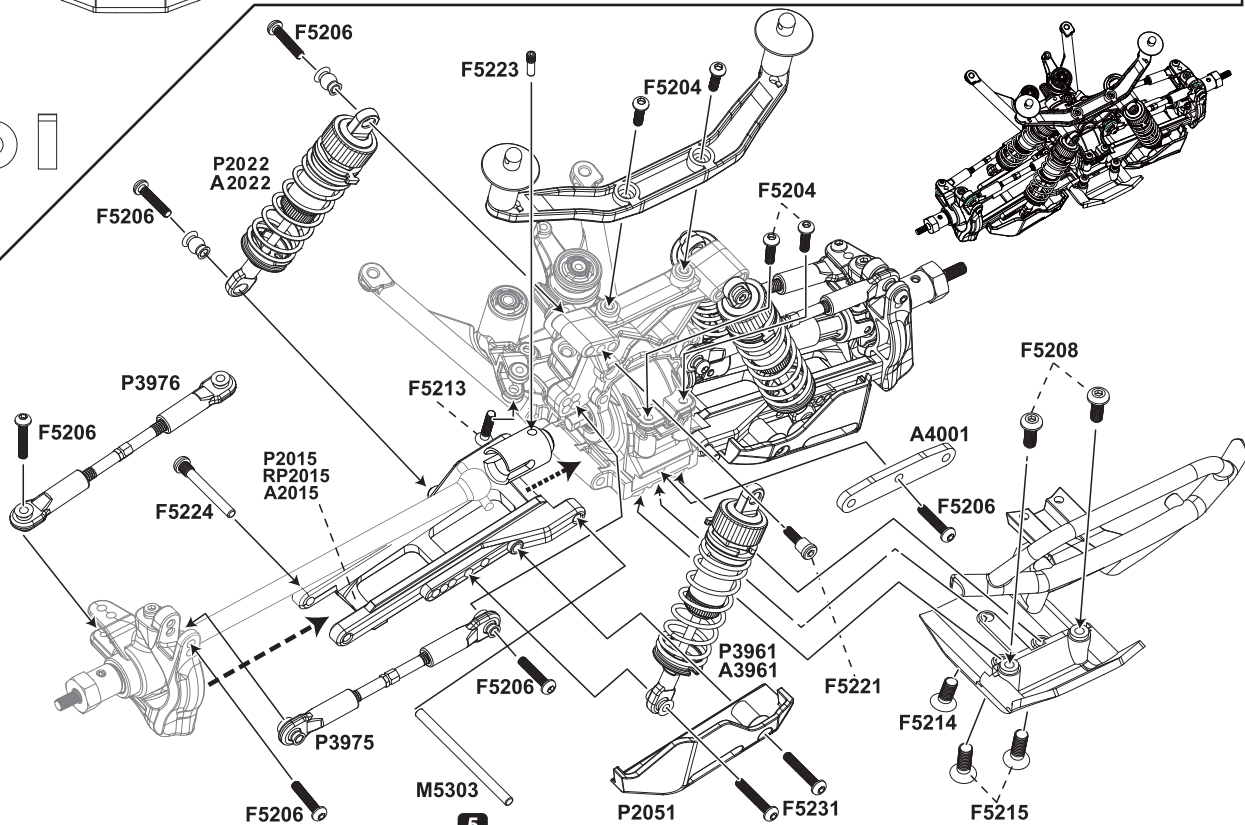
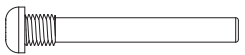


- P3962** Shock Absorber Assembly front 前避震器

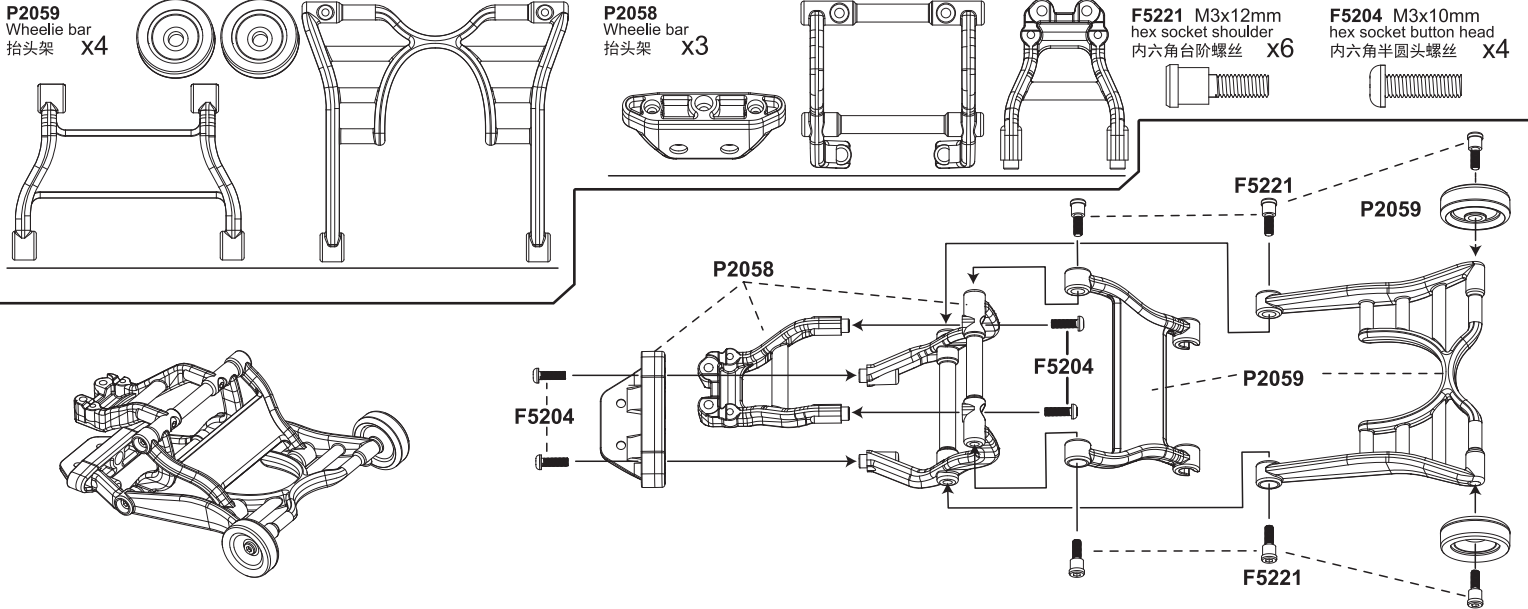
- P3961** Shock Absorber Assembly front 前避震器



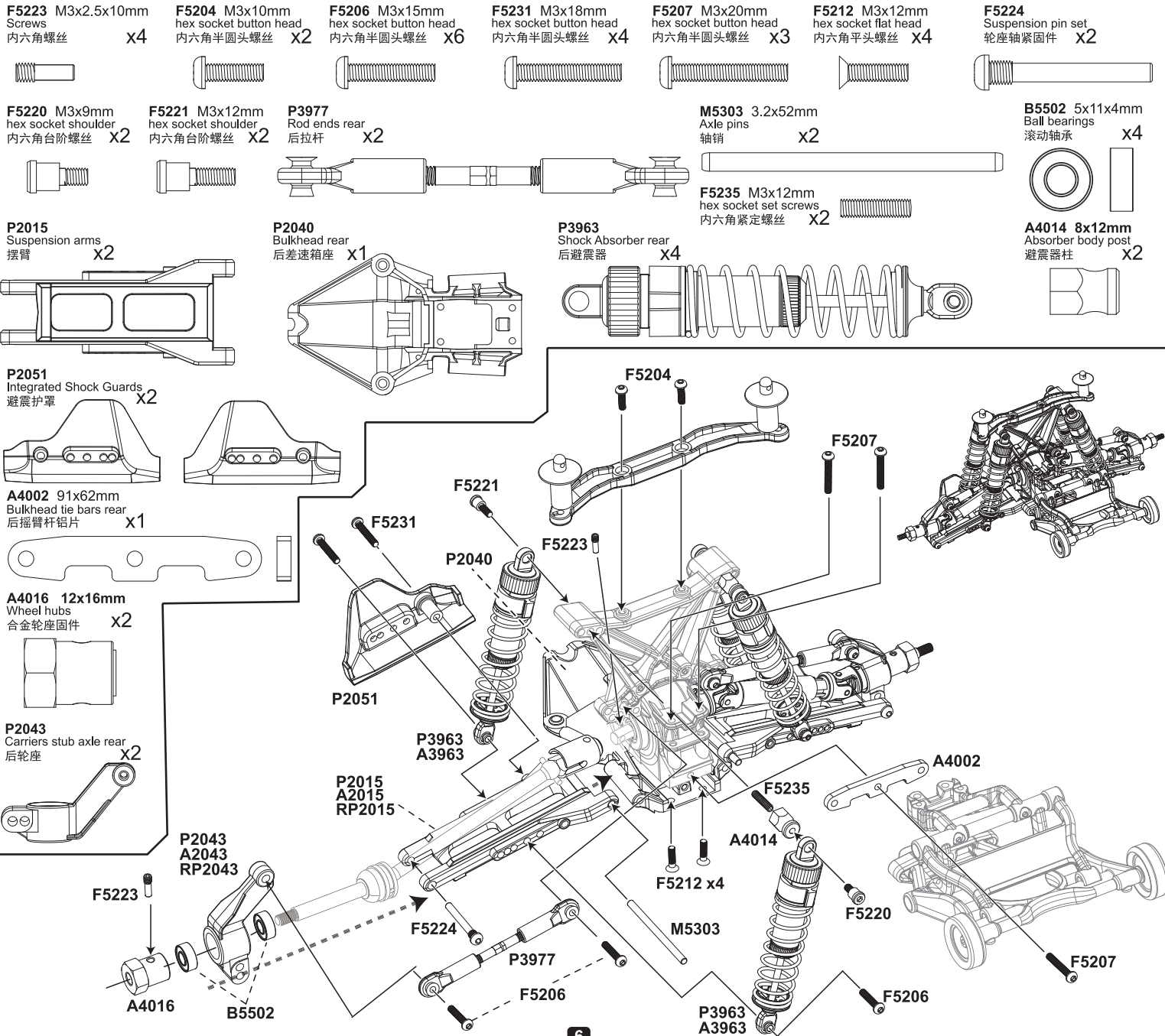
- F5224** Suspension pin set 轮座轴紧固件 X2



## Wheelie bar Assembly 抬头架总成



## Rear Unit Complete 后部份总成



## Chassis System Assembly 底盘系统装配图

**F5203** M3x6mm  
hex socket button head  
内六角半圆头螺丝 X1

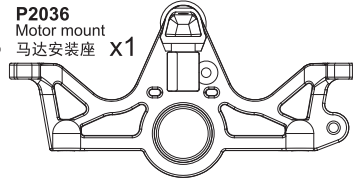
**F5204** M3x10mm  
hex socket button head  
内六角半圆头螺丝 X2

**F5230** M3x5mm  
hex socket flat head  
内六角平头螺丝 X1

**F5210** M3x8mm  
hex socket flat head  
内六角平头螺丝 X2

**F5222** M3x6mm  
hex socket flat head  
内六角大平头螺丝 X5

**P2036**  
Motor mount  
马达安装座 X1



**A4004**  
Center Driver Shaft  
合金主驱动轴 X1

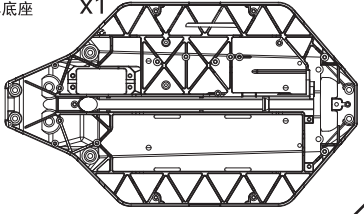


**F5219** M3x14mm  
hex socket cap-head  
内六角平头螺丝 X1

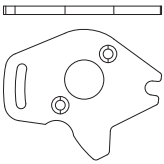
**F5225** M3  
Mylon locking  
防松螺母 X1



**P2032**  
Chassis Slash  
车底座 X1



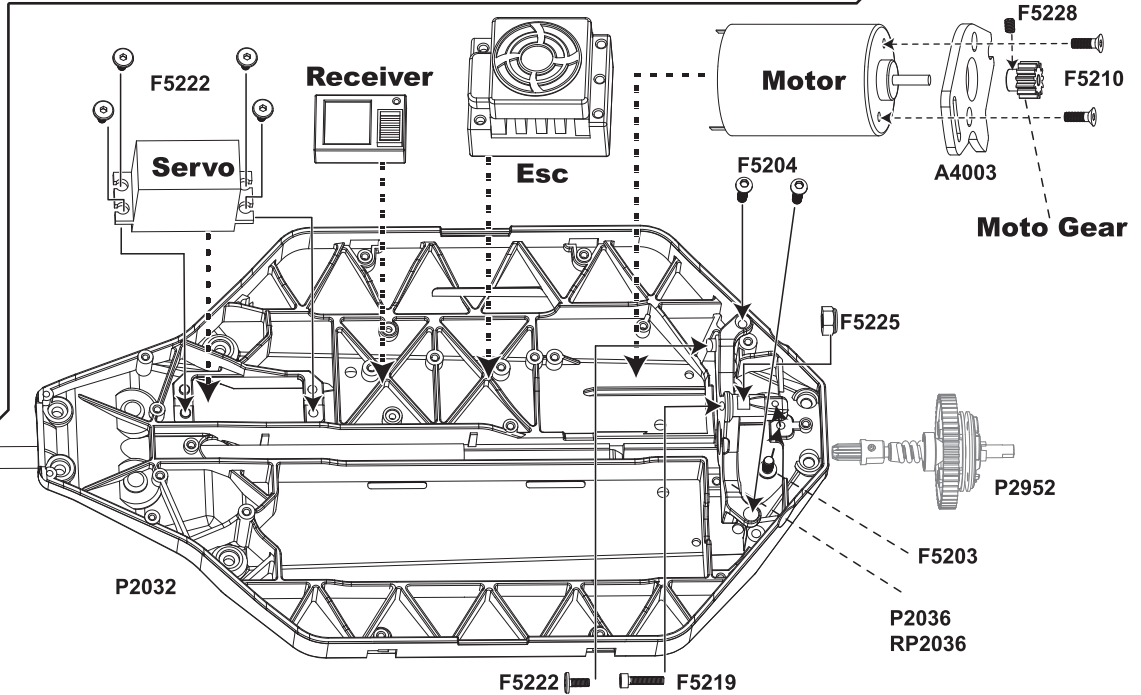
**A4003**  
Plate motor  
马达固定片 X1



A4004

P2032

F5222 F5219



## Assembly View 总装配图

**F5203** M3x6mm  
hex socket button head  
内六角半圆头螺丝 X4

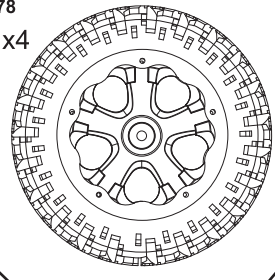
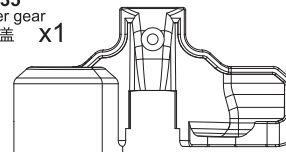
**F5208** M4x10mm  
hex socket button head  
内六角半圆头螺丝 X2

**F5209** M4x12mm  
hex socket button head  
内六角半圆头螺丝 X6

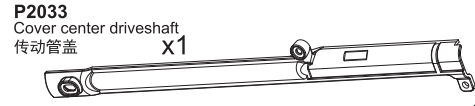
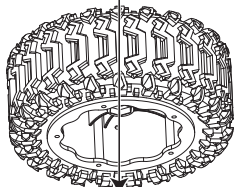
**F5226** M4  
Mylon locking  
防松螺母 X4

**P2035**  
Cover gear  
齿轮盖 X1

**P3978**  
Tires  
轮胎 X4

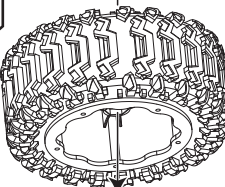


F5226



**P2033**  
Cover center driveshaft  
传动管盖 X1

F5226



F5203

F5203

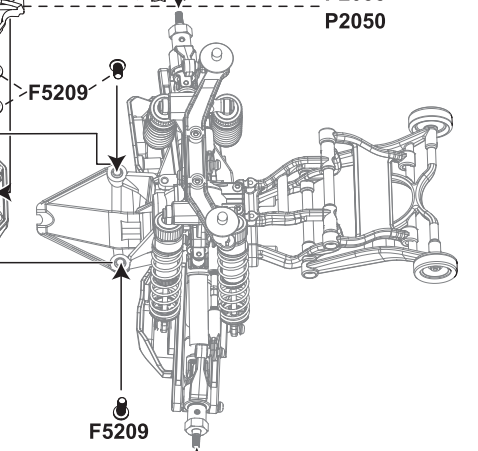
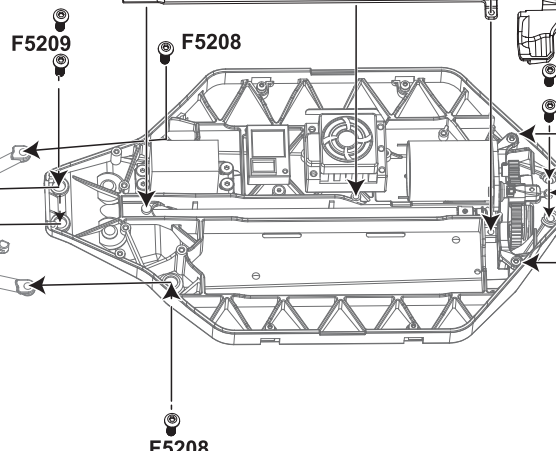
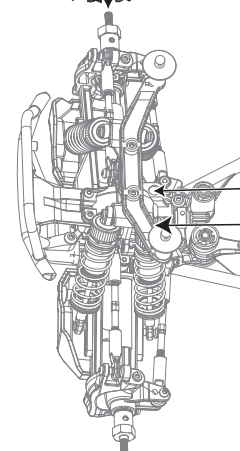
P2033

P2035  
P2050

F5209

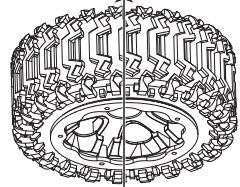
F5208

F5209

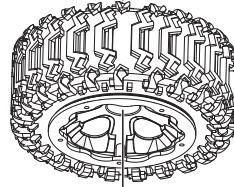


F5208

F5209



F5226



F5226

**Caution:**  
due to technique updates constantly,  
pictures are for reference only,  
products are subject to availability.

由于技术不断更新, 配件、数据  
和图片有所不同, 以实物为准!