



2.4GHz
Version

AGES 14+
适用于年龄14岁以上



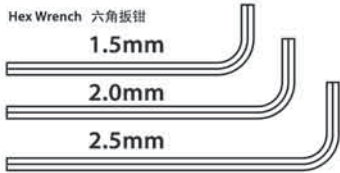
长度	560毫米	Length	460mm (18.11 Inches)
前轮距	345毫米	Front Track	280mm (11.02 Inches)
后轮距	345毫米	Rear Track	330mm (12.99 Inches)
轴距	335毫米	Wheelbase	95mm (3.74 Inches)
轮胎	直径130毫米 宽70毫米	Tire	Diameter, 5.11 Inches (130mm) Width, 2.75 Inches(70mm)

- * 全车采用双差速粉末伞齿+ CNC轴；
- * 高性能模型滚动轴承；
- * 超强抓地力、超耐磨橡胶轮胎；
- * 全车采用高性能超强抗冲击复合尼龙工程塑胶材料；
- * 采用模型专用高放电镍氢、锂电池；
- * 采用模型专用无刷马达；
- * 采用高反应、大功率无刷电子调速器；
- * 4支油压阻尼避震；
- * 前后4个一体化避震护罩；
- * 采用金属可调节摩擦器；
- * 采用金属前后主传动轴连接器。

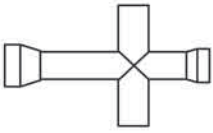
- * Twin Differential Sintered Hardened Steel Bevel Gears With CNC.
- * Axis High-speed Ball Bearings.
- * Great grip and super wear-resisting rubber tires.
- * High Performance Ultra Rugged Composite Nylon Materials.
- * Advanced High Discharge, High Capacity And High Power NiMH & LI-PO Battery Technology.
- * Professional Hobby Brushless Motor.
- * Ultra-Smooth, High-Frequency Operation And High-Power Handling Capability Brushless Esc.
- * 4 x Oil-Filled Damp Shocks.
- * Ago Rear Integrated Shock Guards.
- * Adjustable Alloy Slipper Clutch.
- * Front and Rear hardened steel Center Driveshaft hub.

Addition Accessories 配送工具

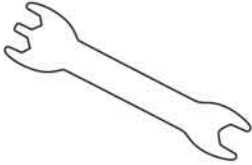
Tools Recommended 推荐工具



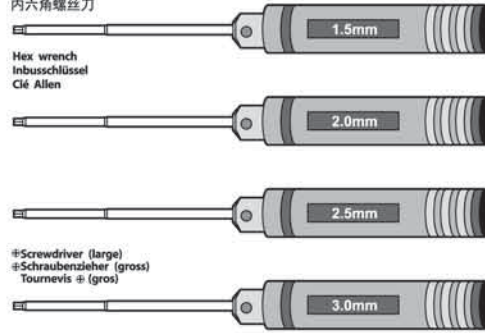
Small Cross Tool 小十字套筒



Wrench (small) 扳手 (小的)



Hex screwdrivers
内六角螺丝刀



Hex wrench
Inbusschlüssel
Clé Allen

#Screwdriver (large)
#Schraubenzieher (gross)
#Tournevis # (gros)



Modeling knife
Modellermesser
Couteau de modéliste
刮刀

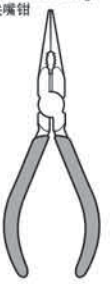
Side cutter
Seltenschneider
Pincés coupantes
剪钳



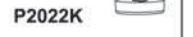
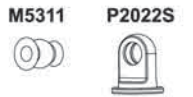
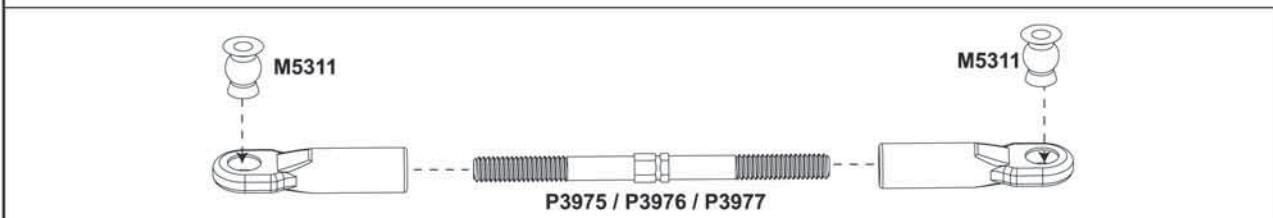
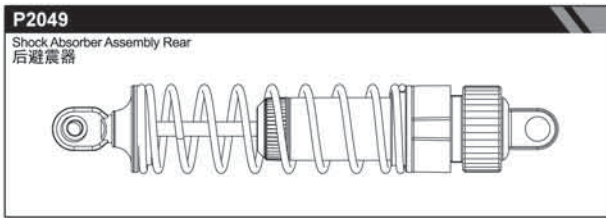
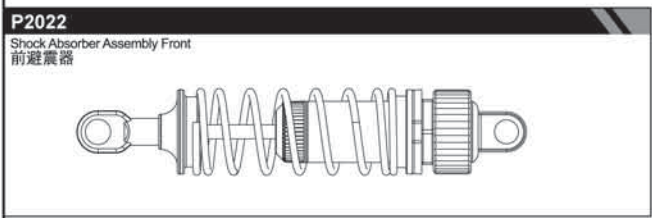
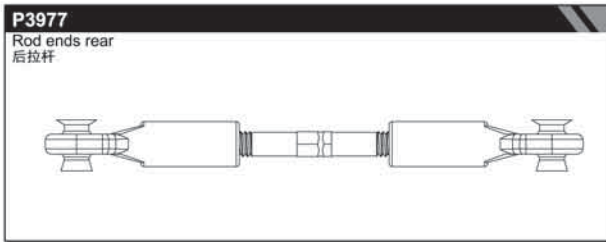
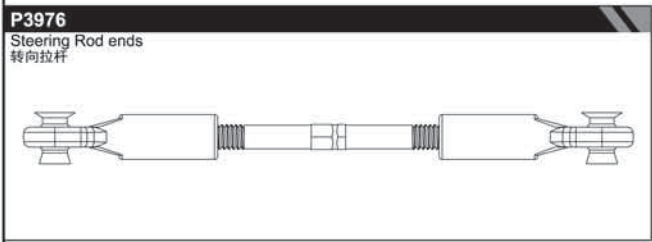
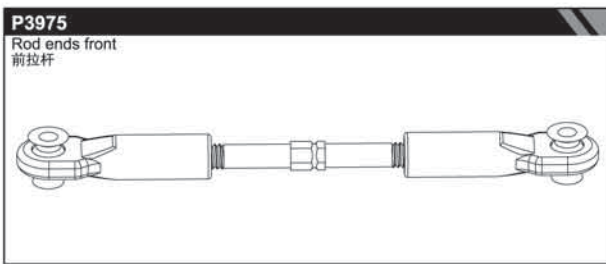
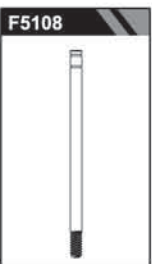
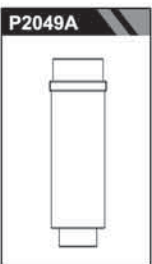
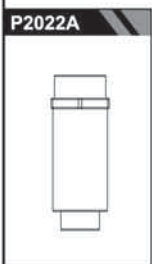
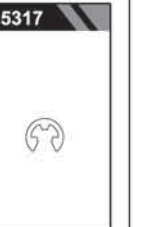
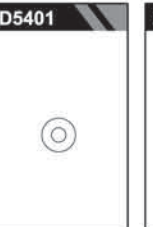
Curved scissors
Schere
Ciseaux
剪刀



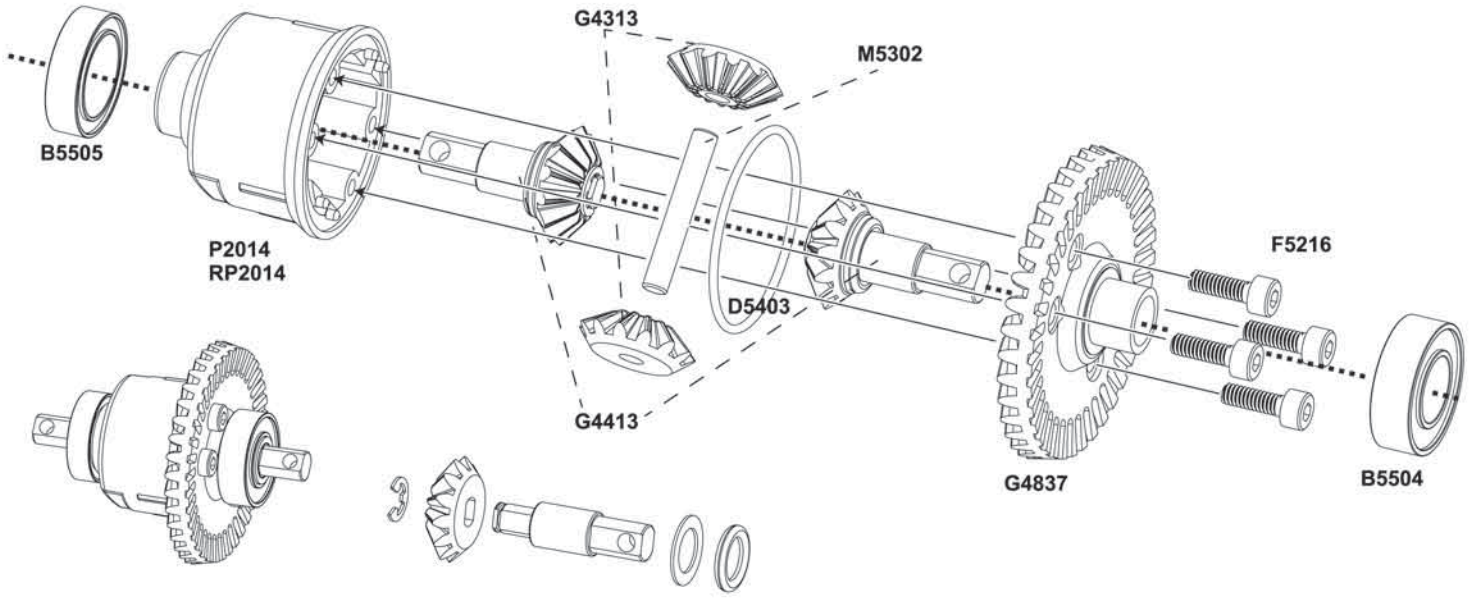
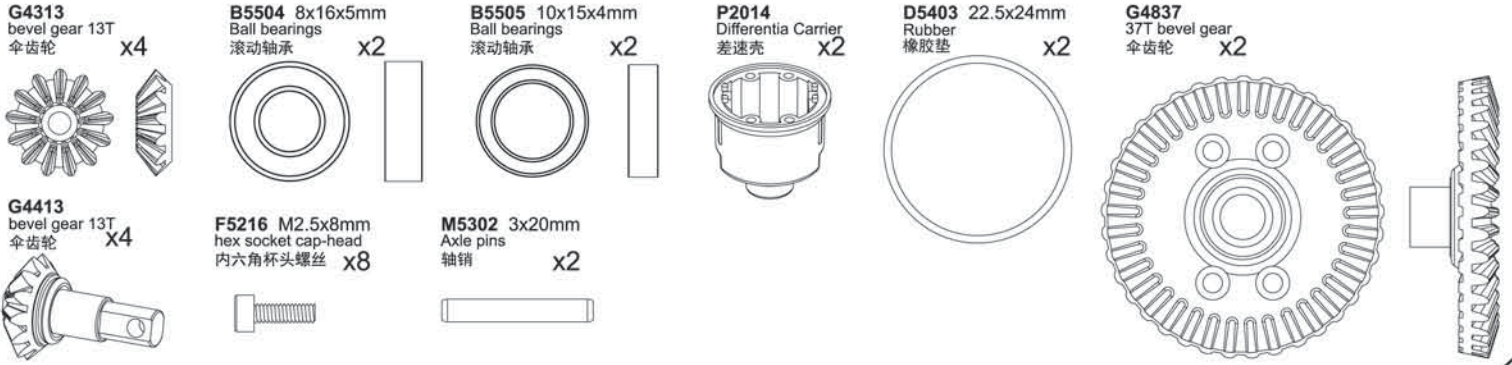
Long nose pliers
Flachzange
Pincés à becs longs
尖嘴钳



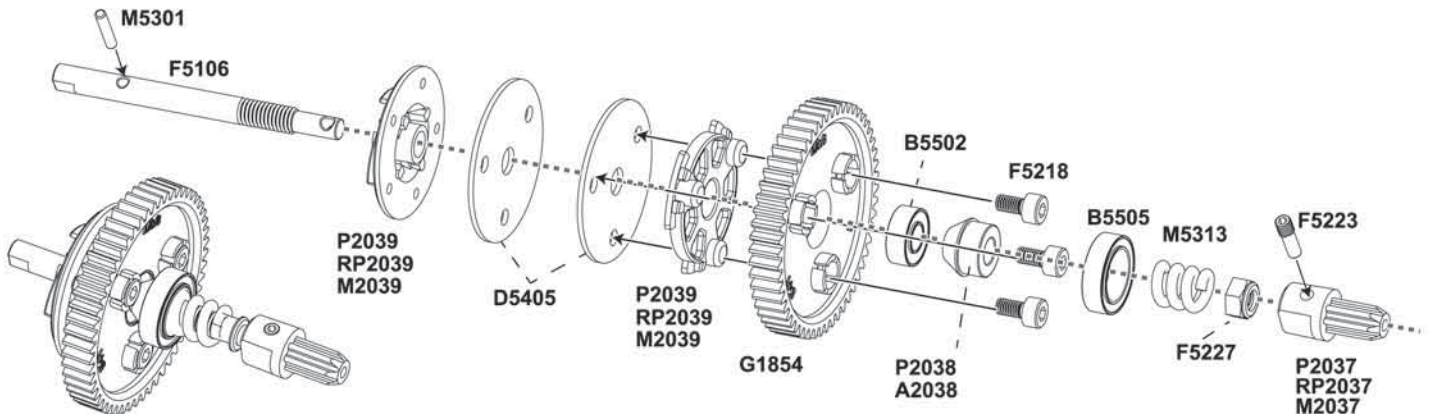
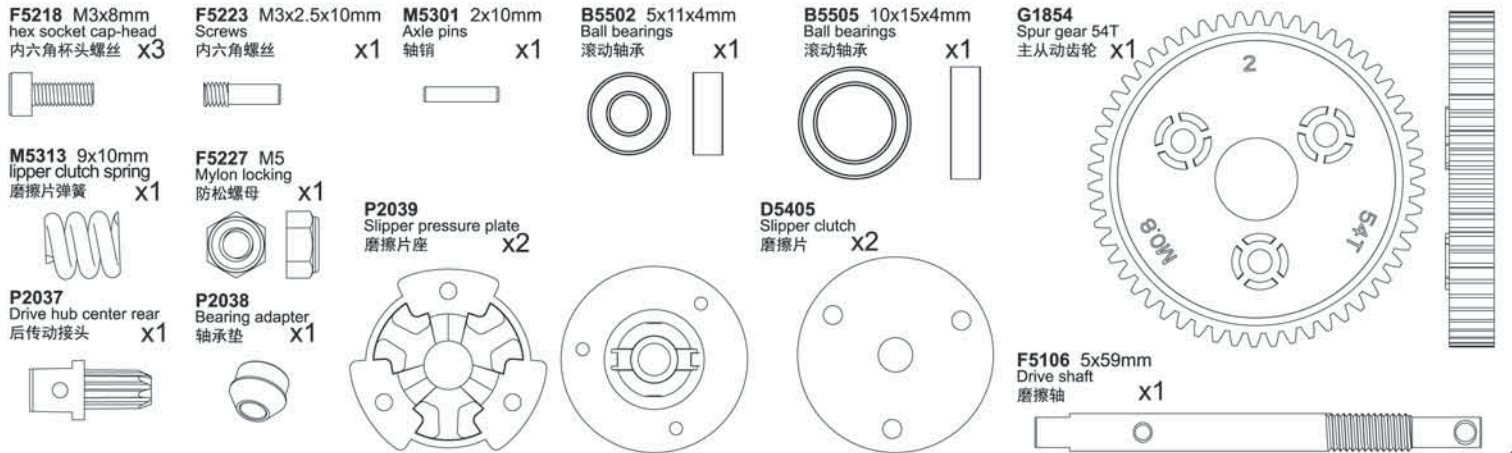
Model Glue
模型胶水



Front/Rear Differential Gear Assembly 前后差速器总成



Throttle Gear with Slipper Clutch System Assembly 减速齿轮和磨擦离合器系统总成



Front Differential Gear Box Assembly 前差速箱总成

F5223 M3x2.5x10mm
Screws
内六角螺丝 x1



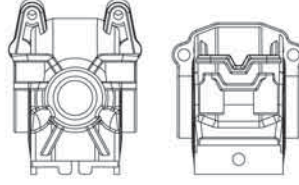
F5204 M3x10mm
hex socket button head
内六角半圆头螺丝 x2



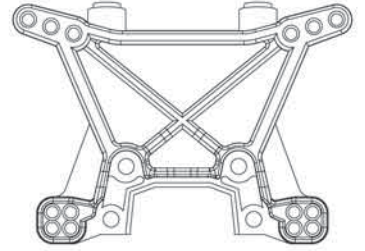
F5206 M3x15mm
hex socket button head
内六角半圆头螺丝 x2



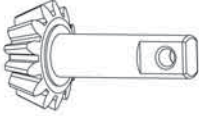
P2013
Housings differential front
前差速箱壳 x2



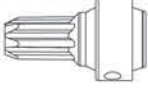
P2023
Shock tower front
前减震器座 x1



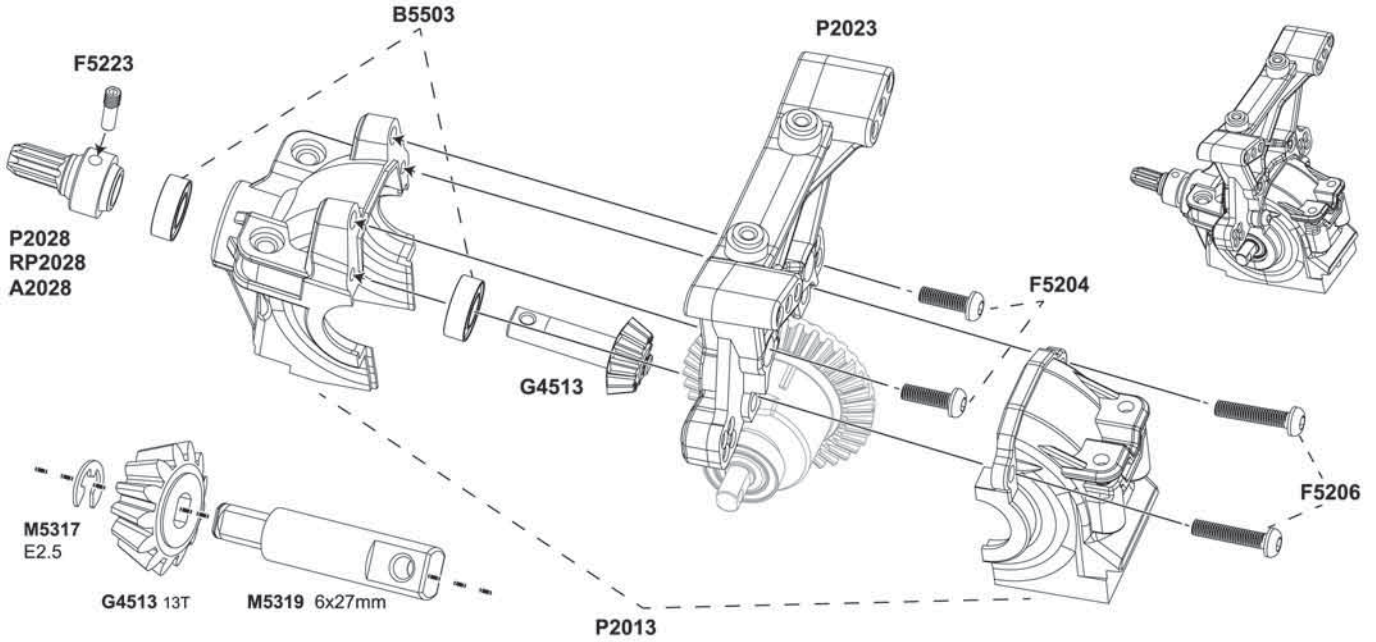
G4513 x1



P2028
Drive hub center front
前传动接头 x1



B5503 6x12x4mm
Ball bearings
滚动轴承 x2

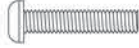


Rear Differential Gear Box Assembly 后差速箱总成

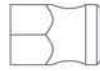
F5204 M3x10mm
hex socket button head
内六角半圆头螺丝 x4



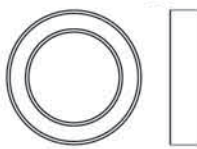
F5206 M3x15mm
hex socket button head
内六角半圆头螺丝 x2



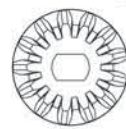
A4014 8x12mm
Absorber body post
避震器柱 x2



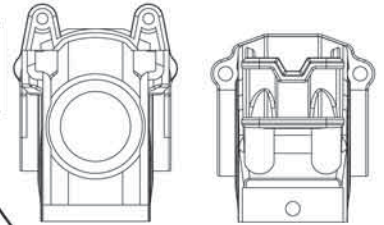
B5506 12x18x4mm
Ball bearings
滚动轴承 x1



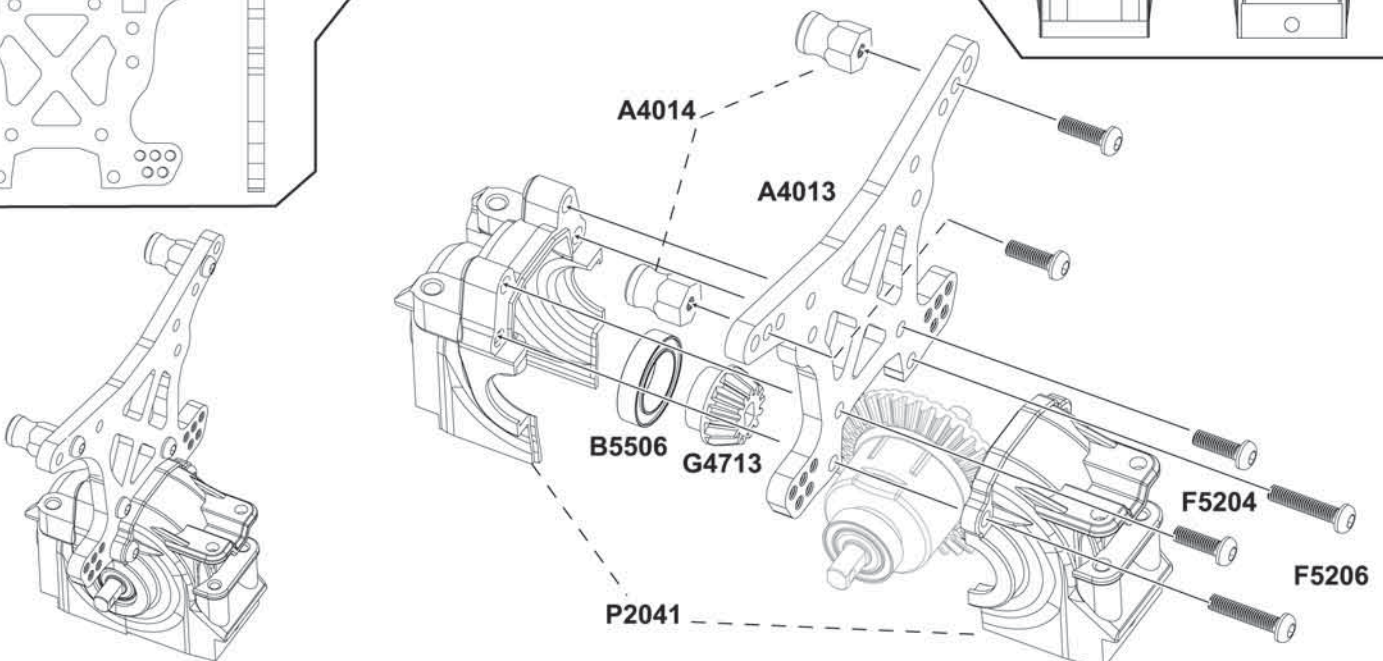
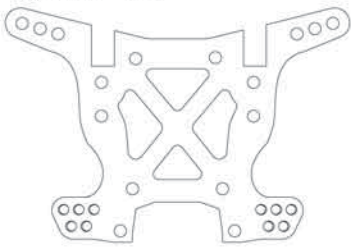
G47 13
bevel gear 13T
伞齿轮 x1



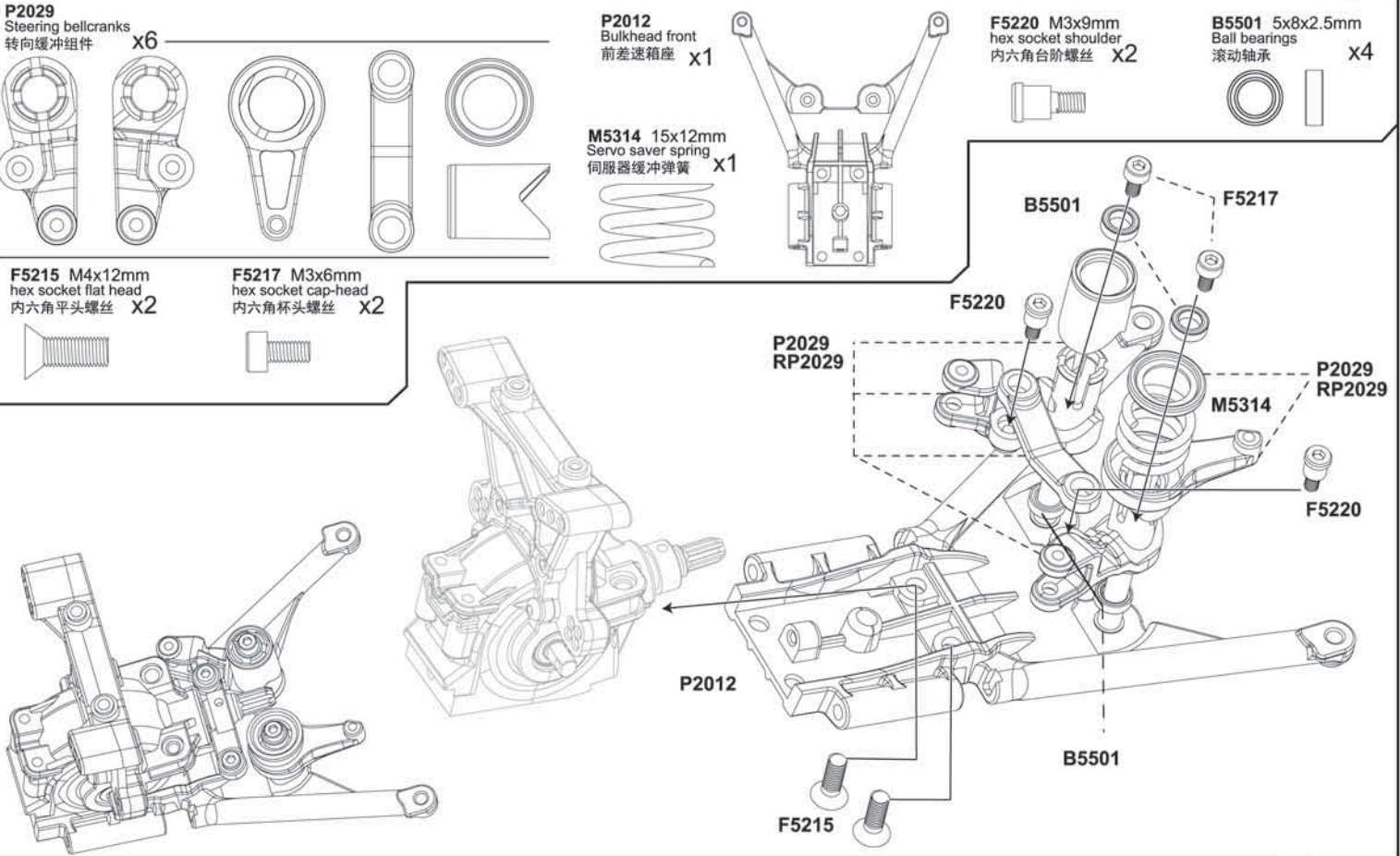
P2041
Housings differential rear
后差速箱壳 x2



A4013 91x62mm
Shock tower rear
后减震器座 x1

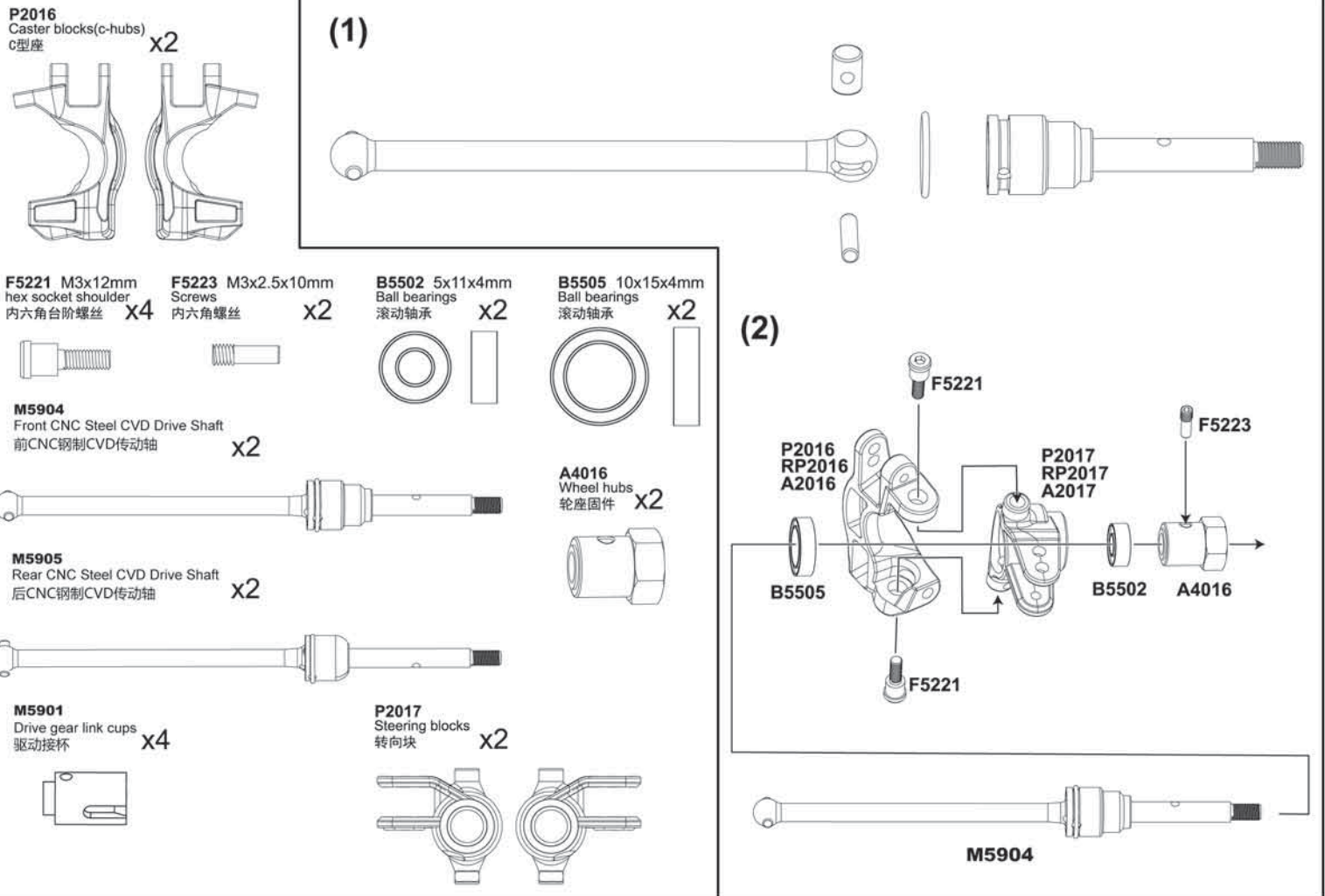


Servo Saver/Steering Assembly 转向缓冲总成



(1) Front Rear Universal Coupling Drive Joint 前后万向联轴器总成

(2) Steering Hubs Assembly 转向杯总成



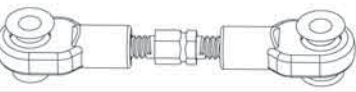
(1) Front/Rear Body brace Assembly 前后车壳支架

(2) Servo Arm/Steering Arm Assembly 伺服器摇臂拉杆

- P2026** Body mount body post 车身壳架立柱 x4
- F5204** M3x10mm hex socket button head 内六角半圆头螺丝 x4
- F5206** M3x15mm hex socket button head 内六角半圆头螺丝 x1
- P2031** Servo Arm 伺服器臂 x1



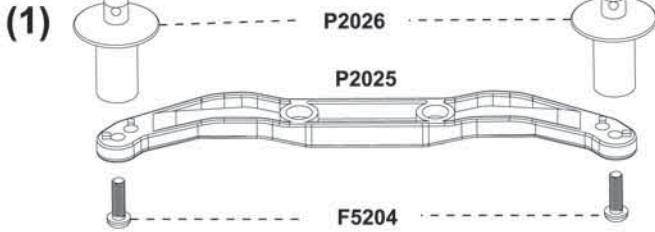
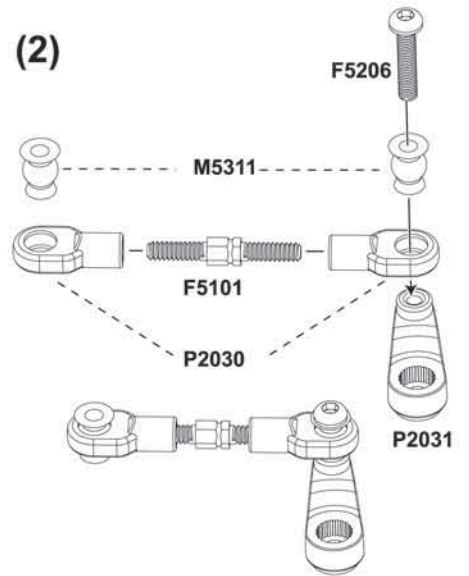
- P2030** Linkage steering 伺服器拉杆 x1



- P2025** Body mount 车身壳架 x2



(2)

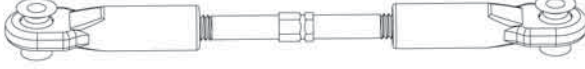


Front Unit Complete 前部份总成

- F5223** M3x2.5x10mm Screws 内六角螺丝 x2
- F5204** M3x10mm hex socket button head 内六角半圆头螺丝 x4
- F5206** M3x15mm hex socket button head 内六角半圆头螺丝 x9
- F5231** M3x18mm hex socket button head 内六角半圆头螺丝 x4
- F5213** M3x14mm hex socket flat head 内六角平头螺丝 x2
- F5214** M4x10mm hex socket flat head 内六角平头螺丝 x1
- F5215** M4x12mm hex socket flat head 内六角平头螺丝 x2
- F5208** M4x10mm hex socket button head 内六角半圆头螺丝 x2



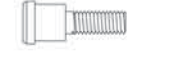
- P3975** Rod ends front 前拉杆 x2



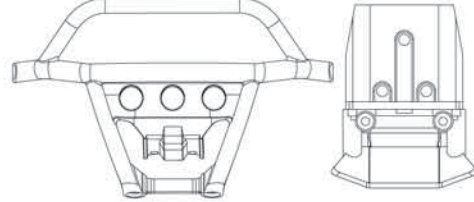
- P3976** Steering Rod ends 转向拉杆 x2



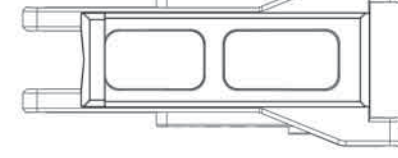
- F5221** M3x12mm hex socket shoulder 内六角台阶螺丝 x2



- P2057** Bumper front 前保险杠 x2



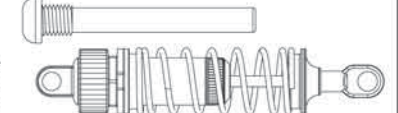
- P2015** Suspension arms 摆臂 x2



- M5303** 3.2x52mm Axle pins 轴销 x2



- F5224** Suspension pin set 轮座轴紧固件 x2



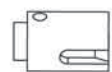
- P2022** Shock Absorber Assembly front 前避震器 x2



- A4001** 91x62mm Bulkhead tie bars front 前摇臂杆铝片 x1

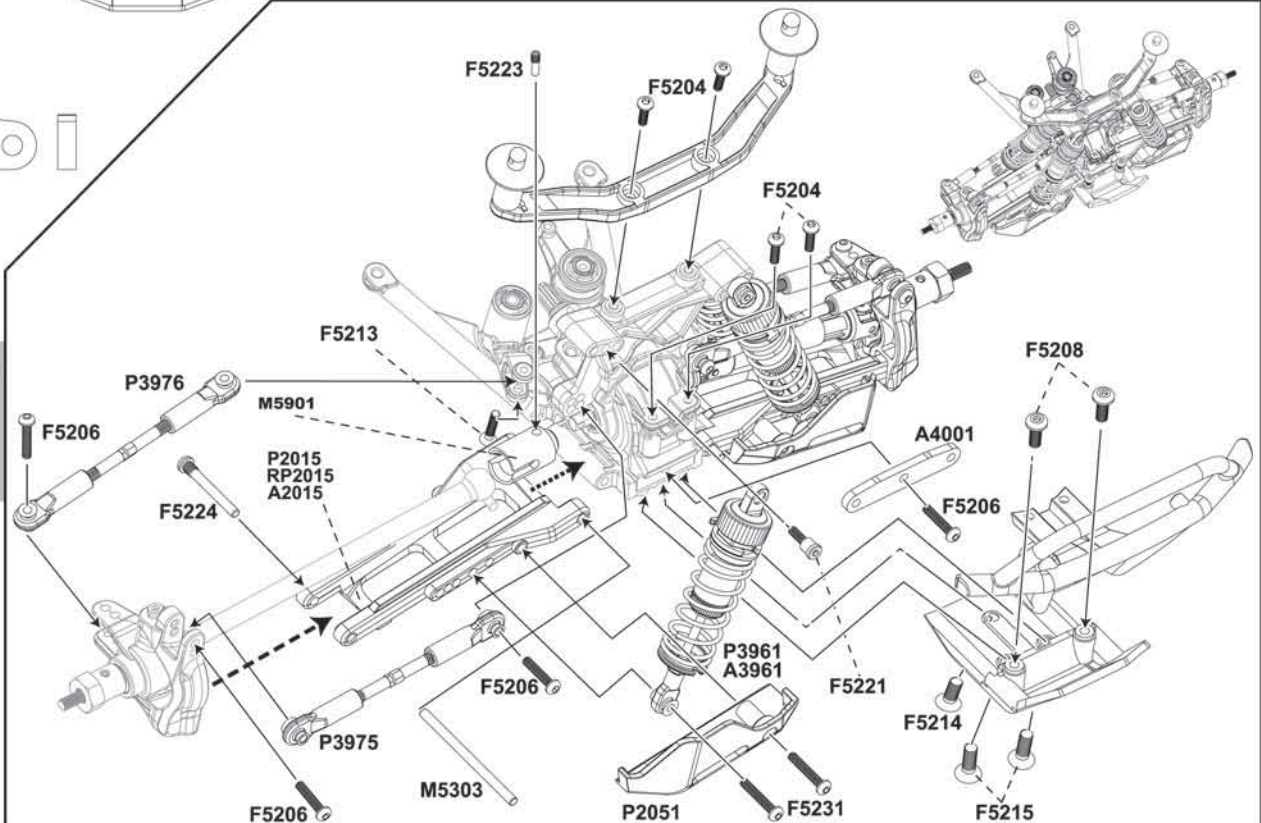
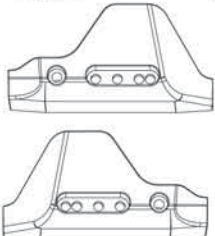


- M5901** Drive gear link cups 驱动接杯 x2



因型号结构不同零件不同，以实物为主
Some versions do not contain parts, mainly in kind!

- P2051** Integrated Shock Guards 避震护罩 x2



Rear Unit Complete 后部份总成

F5223 M3x2.5x10mm
Screws
内六角螺丝 x2

M5301 2x10mm
Axle pins
轴销 x2

F5206 M3x15mm
hex socket button head
内六角半圆头螺丝 x5

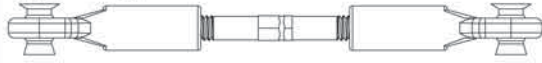
F5212 M3x12mm
hex socket flat head
内六角平头螺丝 x4

F5220 M3x9mm
hex socket shoulder
内六角台阶螺丝 x2

F5224
Suspension pin set
轮座轴套固定件 x2

A4002 91x62mm
Bulkhead tie bars rear
后摇臂杆铝片 x1

P5977
Rod ends rear
后拉杆 x2



M5303 3.2x52mm
Axle pins
轴销 x2

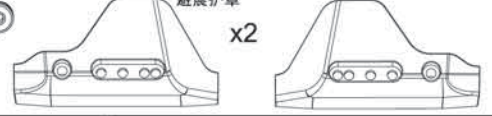
F5231 M3x18mm
hex socket button head
内六角半圆头螺丝 x4



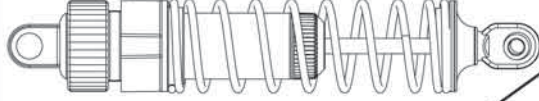
P2043
Carriers stub axle rear
后轮座 x2



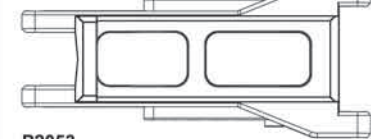
P2051
Integrated Shock Guards
避震护罩 x2



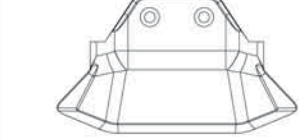
P2049
Shock Absorber rear
后避震器 x2



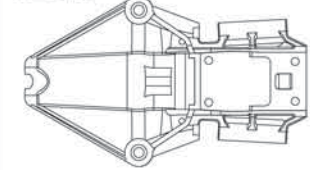
P2015
Suspension arms
摆臂 x2



P2053
Bumper rear
后保险杠 x1



P2040
Bulkhead rear x1
后差速箱座



B5502 5x11x4mm
Ball bearings
滚动轴承 x4



P2021
Wheel hubs
轮座固定件 x2



M5901
Drive gear link cups
驱动接杯 x2

