

BLADE[®] 200 QX

#1 BY DESIGN



**Instruction Manual
Bedienungsanleitung
Manuel d'utilisation
Manuale di Istruzioni**



NOTICE

All instructions, warranties and other collateral documents are subject to change at the sole discretion of Horizon Hobby, LLC. For up-to-date product literature, visit horizonhobby.com and click on the support tab for this product.

Meaning of Special Language

The following terms are used throughout the product literature to indicate various levels of potential harm when operating this product:

NOTICE: Procedures, which if not properly followed, create a possibility of physical property damage AND a little or no possibility of injury.

CAUTION: Procedures, which if not properly followed, create the probability of physical property damage AND a possibility of serious injury.

WARNING: Procedures, which if not properly followed, create the probability of property damage, collateral damage, and serious injury OR create a high probability of superficial injury.



WARNING: Read the ENTIRE instruction manual to become familiar with the features of the product before operating. Failure to operate the product correctly can result in damage to the product, personal property and cause serious injury.

This is a sophisticated hobby product. It must be operated with caution and common sense and requires some basic mechanical ability. Failure to operate this Product in a safe and responsible manner could result in injury or damage to the product or other property. This product is not intended for use by children without direct adult supervision. Do not use with incompatible components or alter this product in any way outside of the instructions provided by Horizon Hobby, LLC. This manual contains instructions for safety, operation and maintenance. It is essential to read and follow all the instructions and warnings in the manual, prior to assembly, setup or use, in order to operate correctly and avoid damage or serious injury.

Age Recommendation: Not for children under 14 years. This is not a toy.

Safety Precautions and Warnings

- Always keep a safe distance in all directions around your model to avoid collisions or injury. This model is controlled by a radio signal subject to interference from many sources outside your control. Interference can cause momentary loss of control.
- Always operate your model in open spaces away from full-size vehicles, traffic and people.
- Always carefully follow the directions and warnings for this and any optional support equipment (chargers, rechargeable battery packs, etc.).
- Always keep all chemicals, small parts and anything electrical out of the reach of children.
- Always avoid water exposure to all equipment not specifically designed and protected for this purpose. Moisture causes damage to electronics.
- Never place any portion of the model in your mouth as it could cause serious injury or even death.
- Never operate your model with low transmitter batteries.
- Always keep aircraft in sight and under control.
- Always move the throttle fully down at rotor strike.
- Always use fully charged batteries.
- Always keep transmitter powered on while aircraft is powered.
- Always remove batteries before disassembly.
- Always keep moving parts clean.
- Always keep parts dry.
- Always let parts cool after use before touching.
- Always remove batteries after use.
- Never operate aircraft with damaged wiring.
- Never touch moving parts.

BLADE® 200 QX

Table of Contents

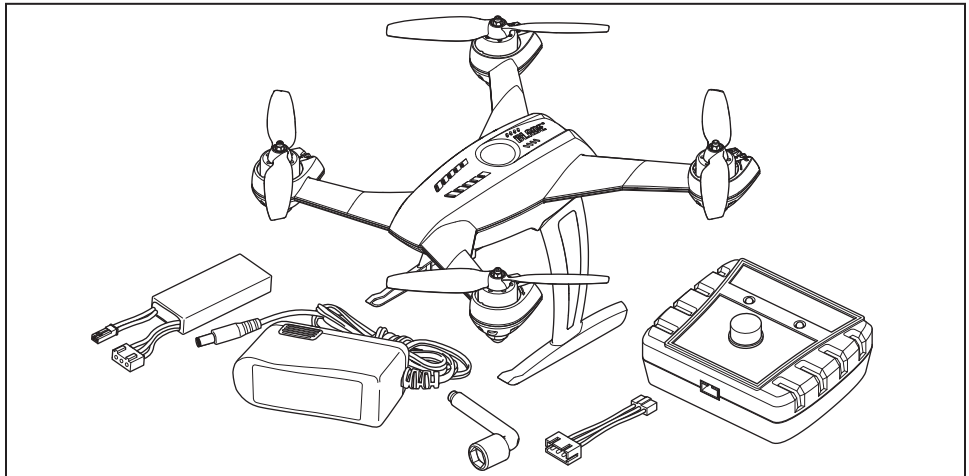
First Flight Preparation.....	4	Post-Flight Inspection and Maintenance Checklist.....	11
Flying Checklist.....	4	Removing the Propellers.....	11
Charging Warnings.....	4	Optional Camera Mount.....	11
Battery Charging.....	5	Troubleshooting Guide.....	12
Installing the Flight Battery.....	5	Exploded View.....	13
Transmitter and Receiver Binding.....	6	Parts Listings.....	13
SAFE Technology.....	6	Optional Parts.....	13
Flight Mode and Rate Selection (RTF).....	6	Limited Warranty.....	14
Transmitter Setup Table.....	7	Warranty and Service Contact Information.....	15
LED Codes.....	10	FCC Information.....	15
Understanding the Primary Flight Controls.....	10	IC Information.....	15
Flying the 200 QX.....	11	Compliance Information for the European Union.....	15

Components		BNF
Airframe	Blade® 200 QX	Included
Motors	20mm Brushless 3000Kv	Installed
On-board Electronics	4-in-1 mixer/ESCs/Gyro	Installed
Battery	2S 7.4V 20C 800mAh Li-Po Battery	Included
Charger	2S Li-Po DC Charger with AC Power Supply	Included
Transmitter	Full Range DSM2®/DSMX® Transmitter (DX4e and up)	Required

Specifications			
Length	5.59 in (142mm)	Flying Weight	6.70 oz (190 g)
Height	3.54 in (90mm)	<i>To register your product online, visit www.bladehelis.com</i>	
Propeller Diameter	4.45 in (113mm)		

Box Contents

- Blade 200 QX
- 2S 7.4V 20C 800mAh Li-Po Battery
- 2S Li-Po DC Charger with AC Power Supply
- Charger Adapter
- Propeller Nut Wrench



First Flight Preparation

- Remove and inspect contents
- Begin charging the flight battery
- Install the flight battery in the quadcopter (once it has been fully charged)
- Program your computer transmitter
- Bind your transmitter
- Familiarize yourself with the controls
- Find a suitable area for flying

Charging Warnings

The Battery Charger (EFLUC1009) included with your quadcopter has been designed to safely charge the Li-Po battery.



CAUTION: All instructions and warnings must be followed exactly. Mishandling of Li-Po batteries can result in a fire, personal injury and/or property damage.

- By handling, charging or using the included Li-Po battery, you assume all risks associated with lithium batteries.
- If at any time the battery begins to balloon or swell, discontinue use immediately. If charging or discharging, discontinue and disconnect. Continuing to use, charge or discharge a battery that is ballooning or swelling can result in fire.
- Always store the battery at room temperature in a dry area for best results.
- Always transport or temporarily store the battery in a temperature range of 40–120° F (5–49° C). Do not store battery or model in a car or direct sunlight. If stored in a hot car, the battery can be damaged or even catch fire.
- Always charge batteries away from flammable materials.

Flying Checklist

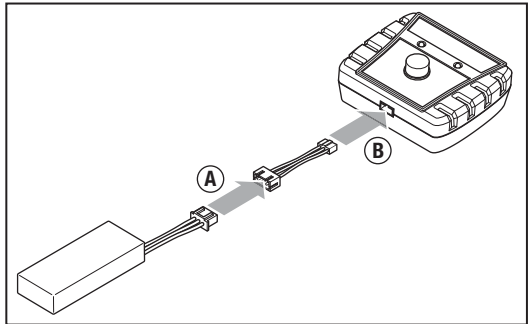
- Always turn the transmitter on first**
- Plug the flight battery into the lead from the 4-in-1 control unit
- Allow the 4-in-1 control unit to initialize and arm properly
- Fly the model
- Land the model
- Unplug the flight battery from the 4-in-1 control unit
- Always turn the transmitter off last**

- Always inspect the battery before charging.
- Always disconnect the battery after charging, and let the charger cool between charges.
- Always constantly monitor the temperature of the battery pack while charging.
- **ONLY USE A CHARGER SPECIFICALLY DESIGNED TO CHARGE LI-PO BATTERIES.** Failure to charge the battery with a compatible charger may cause a fire resulting in personal injury and/or property damage.
- Never discharge Li-Po cells to below 3V under load.
- Never cover warning labels with hook and loop strips.
- Never leave charging batteries unattended.
- Never charge batteries outside recommended levels.
- Never charge damaged batteries.
- Never attempt to dismantle or alter the charger.
- Never allow minors to charge battery packs.
- Never charge batteries in extremely hot or cold places (recommended between 40–120° F or 5–49° C) or place in direct sunlight.

Battery Charging

NOTICE: Charge only batteries that are cool to the touch and are not damaged. Look at the battery to make sure it is not damaged e.g., swollen, bent, broken or punctured.

1. Connect the AC power supply to the charger.
2. Connect the other end of the power supply to an appropriate AC power source.
3. Connect the battery balance lead to the charger adapter (A).
4. Connect the charger adapter to the charger (B).
5. Press the Start/Stop Button to begin charging.
6. Battery charging is complete when the charger LED is solid green.
7. Always disconnect the flight battery from the charger immediately upon completion of charging.



Charging a fully discharged (not over-discharged) 800mAh battery takes approximately 60 minutes.

CAUTION: Only use chargers specifically designed to charge the included Li-Po battery. Failure to do so could result in fire, causing injury or property damage.

CAUTION: Never exceed the recommended charge rate.

LED Indications

Flashing Green LED with power connected but without battery: Standby

Flashing Green LED: Battery connected

Flashing Red LED at varying speeds: Charging

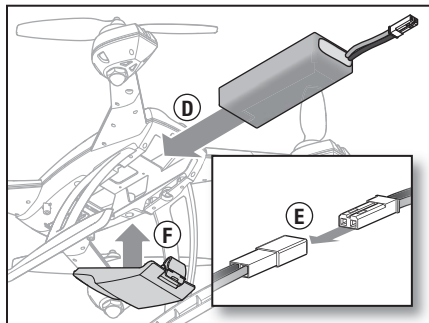
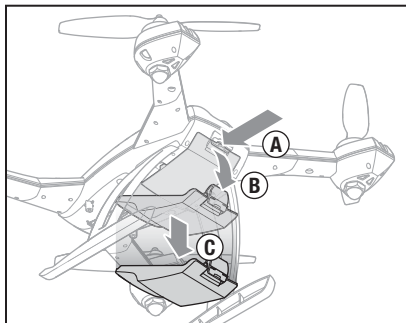
Simultaneously Flashing Red and Green LEDs: Balancing

Solid Green LED: Full Charge

Rapidly Flashing Red and Green LEDs: Error

CAUTION: Once charging is complete, immediately remove the battery. Never leave a battery connected to the charger.

Installing the Flight Battery



1. Lower the throttle to the lowest setting.
2. Power on the transmitter.
3. Remove the battery cover (A-C) and install the battery in the quadcopter (D).
4. Connect the battery cable to the 4-in-1 control unit (E) and replace the battery cover (F).
5. Place the quadcopter on its landing gear on a flat surface and leave it still until the LED on the 4-in-1 control unit is solid (not blinking).

CAUTION: Always disconnect the Li-Po battery from the aircraft when not flying to avoid over-discharging the battery. Batteries discharged to a voltage lower than the lowest approved voltage may become damaged, resulting in loss of performance and potential fire when batteries are charged.

Transmitter and Receiver Binding

To bind or re-bind your quadcopter to your chosen transmitter, please follow the directions below.

General Binding Procedure
1. Disconnect the flight battery from the quadcopter.
2. Select a clean model memory on your transmitter (computer radios only).
3. Select Acro or Airplane model type on your transmitter.
4. Make sure all servo reversing is set correctly for your radio. Refer to the <i>Transmitter Setup Table</i> .
5. Center all trims on your transmitter.
6. Power off the transmitter and move all switches to the 0 position. Move the throttle to the low/off position.
7. Connect the flight battery in the quadcopter. The blue LED on the 4-in-1 control unit flashes after 5 seconds.
8. Put the transmitter into bind mode while powering on the transmitter.
9. Release the bind button/switch after 2–3 seconds. The quadcopter is bound when the blue LED on the 4-in-1 control unit turns solid.
10. Disconnect the flight battery and power the transmitter off.



CAUTION: When using a Futaba® transmitter with a Spektrum™ DSM2®/DSMX® module, you must reverse the throttle channel and re-bind. Refer to your Spektrum module manual for binding and failsafe instructions. Refer to your Futaba transmitter manual for instructions on reversing the throttle channel.

If you encounter problems, obey binding instructions and refer to the troubleshooting guide for other instructions. If needed, contact the appropriate Horizon Product Support office. For a list of compatible DSM® transmitters, please visit www.bindnfly.com.

SAFE™ Technology

Revolutionary SAFE™ (Sensor Assisted Flight Envelope) technology uses an innovative combination of multi-axis sensors and software that allows model aircraft to know its position relative to the horizon. This spatial awareness is utilized to create a controlled flight envelope the aircraft can use to maintain a safe region of bank and pitch angles so you can fly more safely. Far beyond stability, this level of protection offers multiple modes so the pilot can choose to develop his or her skills with a greater degree of security and flight control that always feels crisp and responsive.

SAFE technology delivers:

- Flight envelope protection you can enable at the flip of a switch.
- Multiple modes let you adapt SAFE technology to your skill level instantly.

Best of all, sophisticated SAFE technology doesn't require any work to enjoy. Every aircraft with SAFE installed is ready to use and optimized to offer the best possible flight experience.

FlySAFERC.com

Flight Mode and Rate Selection

- In stability low angle mode, the controls provide a minimum bank angle. This mode is shown by the flight control board on the quadcopter glowing solid green.
- In stability high angle mode, the controls provide for a maximum bank angle. This mode is shown by the flight control board on the quadcopter glowing solid blue.
- Agility mode is shown by the flight control board on the quadcopter glowing solid red.

Refer to the *Transmitter Setup Table* for which switch on your transmitter selects flight modes and specific setup information.

Transmitter Setup Table

Transmitter Model Type	Reverse Setup	Mode Setup	Switch Positions	Throttle Cut	Camera Operation	Dual Rate Switch	High Rate	Low Rate
MLP4DSM	N/A	N/A	Default = Stability Mode, Low Angle (Quad Solid Green LED) Press Right Stick = Agility Mode (Quad Solid Red LED)	Lower throttle trim until motors stop turning	Still Mode(Default) Press Left Stick = Take Picture Video Mode Press Left Stick = Start/Stop Recording Press & Hold Left Stick (4 Seconds) = Change Modes	Rate	100% Fixed	N/A
			Channel 5 (0) = Stability Mode, Low Angle Channel 5 (1) = Stability Mode, High Angle Channel 5 (2) = Agility Mode	Lower throttle trim until motors stop turning	Still Mode(Default) Press Trainer = Take Picture Video Mode Press Trainer = Start/Stop Recording Press & Hold Trainer for 4 Seconds = Change Modes	Rate	100% Fixed	70% Fixed
DX4e (Old) w/ 2 Position Switch	N/A	N/A	ACT/AUX (OFF) = Stability Mode, Low Angle ACT/AUX (ON) = Agility Mode	Lower throttle trim until motors stop turning	Still Mode(Default) Press Trainer = Take Picture Video Mode Press Trainer = Start/Stop Recording Press & Hold Trainer for 4 Seconds = Change Modes	Rate	100% Fixed	70% Fixed
			Channel 5 (0) = Stability Mode, Low Angle Channel 5 (1) = Agility Mode	Lower throttle trim until motors stop turning	Still Mode(Default) Press Trainer = Take Picture Video Mode Press Trainer = Start/Stop Recording Press & Hold Trainer for 4 Seconds = Change Modes	Rate	100% Fixed	70% Fixed

Transmitter	Model Type	Reverse Setup	Mode Setup		Switch Positions			Throttle Cut	Camera Operation	Dual Rate Switch	High Rate	Low Rate
DX4e (New) w/ 3 Position Switch	N/A	N/A	N/A	Channel 5 (0) = Stability Mode, Low Angle	Lower throttle trim until motors stop turning	Still Mode(Default) Press Trainer = Take Picture Video Mode Press Trainer = Start/Stop Recording Press & Hold Trainer for 4 Seconds = Change Modes	Rate	100% Fixed	70% Fixed			
				Channel 5 (1) = Stability Mode, High Angle								
				Channel 5 (2) = Agility Mode								
DX5e (New) w/ 3 Position Switch	N/A	N/A	Channel 5 (0) = Stability Mode, Low Angle	Lower throttle trim until motors stop turning	Still Mode(Default) Press Trainer = Take Picture Video Mode Press Trainer = Start/Stop Recording Press & Hold Trainer for 4 Seconds = Change Modes	Rate	100% Fixed	70% Fixed				
			Channel 5 (1) = Stability Mode, High Angle									
			Channel 5 (2) = Agility Mode									
DX6i	Acro	GEAR - R All Others - N	Setup List: Throttle Cut - ACT Travel Adj: GEAR (0) ↑ 100%; F MODE (1) ↓ 40% FLAPS: Norm ← ↑ 100; LAND ↓ 100 MIX 1: ACT; Gear → GearACT RATE D 0% U + 100% SW MIX TRIM INH	GEAR (0); Mix (0) = Stability Mode, Low Angle	Press throttle cut	Still Mode(Default) FLAP 0-1-0 = Take Picture Video Mode FLAP 0-1-0 = Start/Stop Recording FLAP Pos 0-1(4 Seconds)-0 = Change Modes	ELEV-AIL D/R	100%	70%			
			GEAR (1); Mix (0) = Stability Mode, High Angle									
			GEAR (1); Mix (1) = Agility Mode									
DX7/7SE	Acro	FLAP - R (6) All Others - N	Travel Adj: GEAR (0) ↑ 100%; GEAR (1) ↑ 40% MIX 1: FLAP → Gear OFF/ON RATE → -50% 0% SW: MIX OFFSET: 0	GEAR (0); Mix (0) = Stability Mode, Low Angle	Lower throttle trim until motors stop turning	Still Mode(Default) FLAP 0-1-0 = Take Picture Video Mode FLAP 0-1-0 = Start/Stop Recording FLAP Pos 0-1(4 Seconds)-0 = Change Modes	ELEV-AIL D/R	100%	70%			
			GEAR (1); Mix (0) = Stability Mode, High Angle									
			GEAR (1); Mix (1) = Agility Mode									

Transmitter	Model Type	Reverse Setup	Mode Setup		Switch Positions		Throttle Cut	Camera Operation	Dual Rate Switch	High Rate	Low Rate
DX7S	Acro	AUX1 - R All Others - N	Switch Select: Trainer to Aux 1; F Mode to Gear Set All Others to InH Throttle Cut: MIX 1 Mixing: GER > GER MIX 1: 0% RATE: -100% OFFSET: 0%; TRIM: InH SW: Ele D/R	F MODE (0), ELEV D/R (1) = Stability Mode, Low Angle	Switch to Mix 1	Still Mode(Default) Press Trainer = Take Picture Video Mode Press Trainer = Start/Stop Recording Press & Hold Trainer for 4 Seconds = Change Modes	ELEV-ALL D/R	100%	70%		
				F MODE (1), ELEV D/R (1) = Stability Mode, High Angle							
				F MODE (1), ELEV D/R (0) = Agility mode							
DX8	Acro	AUX1 - R All Others - N	Switch Select: Trainer to Aux 1 F Mode to Gear All Others to InH Throttle Cut: MIX 1	F MODE (0) = Stability Mode, Low Angle	Switch to Mix 1	Still Mode(Default) Press Trainer = Take Picture Video Mode Press Trainer = Start/Stop Recording Press & Hold Trainer for 4 Seconds = Change Modes	ELEV-ALL D/R	100%	70%		
				F MODE (1) = Stability Mode, High Angle							
				F MODE (2) = Agility Mode							
DX9/DX18	Acro	AUX1 - R All Others - N	Channel Assign: NEXT 1-4: N/A 5 Gear: B 6 AUX1: I 7-10: InH Throttle Cut: Switch H	B (0) = Stability Mode, Low Angle	Switch H	Still Mode(Default) Press Trainer = Take Picture Video Mode Press Trainer = Start/Stop Recording Press & Hold Trainer for 4 Seconds = Change Modes	ELEV-ALL D/R	100%	70%		
				B (1) = Stability Mode, High Angle							
				B (2) = Agility Mode							

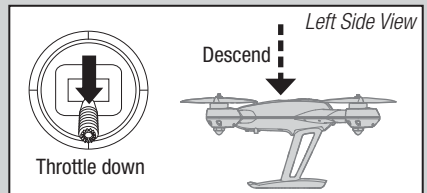
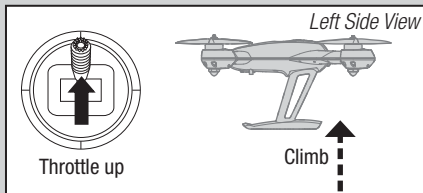
LED Codes

Equipment	LED Color	LED Status	Operation
Quadcopter	Blue	Rapid Blink	Bind Mode
	Green	Solid	Stability Mode high angle
	Red	Solid	Stability Mode low angle
	All LEDs	Slow Blink	7.1V Low Voltage Warning
		Medium Blink	7.0V Low Voltage Warning
		Rapid Blink	6.9V Low Voltage Warning
White	Blink	6.2V Low Voltage Cutoff: Motors shut off	

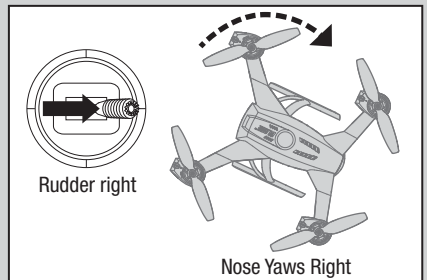
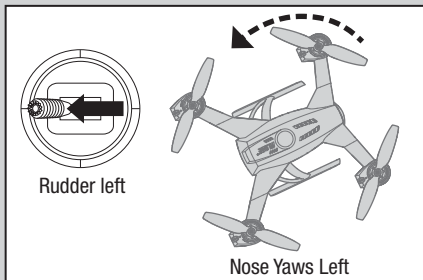
Understanding the Primary Flight Controls

If you are not familiar with the controls of your 200 QX, take a few minutes to familiarize yourself with them before attempting your first flight.

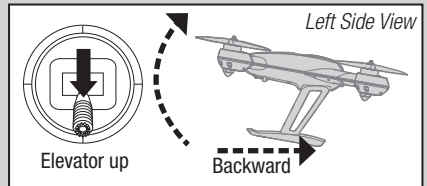
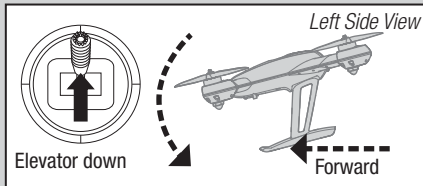
Throttle



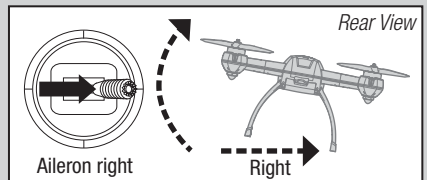
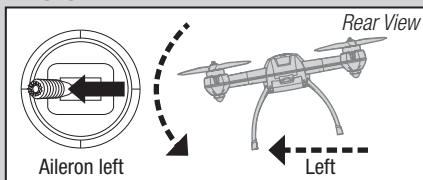
Rudder



Elevator



Aileron



Flying the 200 QX

Takeoff

When you are prepared to fly, move both sticks into the bottom inside corners, then back to center. Increase the throttle until the model is approximately 2 ft. (600mm) off the ground and check the trim so the model flies as desired. Once the trim is adjusted, begin flying the model.

Typical flight times for the included battery range from 5 to 7 minutes.

Low Voltage Cutoff (LVC)

LVC decreases the power to the motors when the battery voltage gets low. When the motor power decreases and the LEDs blink, land the aircraft immediately and recharge the flight battery.

LVC does not prevent the battery from over-discharge during storage.

NOTICE: Repeated flying to LVC will damage the battery.

Landing

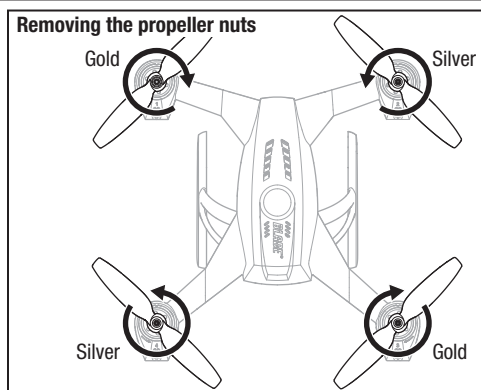
To land, slowly decrease the throttle while in a low-level hover. After landing, disconnect and remove the battery from the aircraft after use to prevent trickle discharge. Fully charge your battery before storing it. During storage, make sure the battery charge does not fall below 3V per cell.

Post-Flight Inspection and Maintenance Checklist

✓	
Cleaning	Make sure the battery is not connected before cleaning. Remove dust and debris with a soft brush or a dry, lint-free cloth.
Motors	Replace the motor when the model will not fly steady or veers off when doing a climb out.
Wiring	Make sure the wiring does not block moving parts. Replace damaged wiring and loose connectors.
Fasteners	Make sure there are no loose screws, other fasteners or connectors. Do not over-tighten metal screws in plastic parts. Tighten screws so the parts are mated together, then turn the screw only 1/8th of a turn more.
Propellers	Make sure there is no damage to the propellers or other parts that move at high speed. Damage to these parts includes cracks, burrs, chips or scratches. Replace damaged parts before flying.

Removing the Propellers

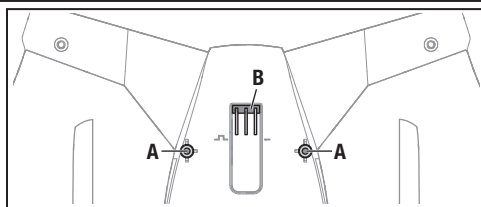
Remove the propeller nuts using the included propeller nut wrench according to the illustration. Install them in the opposite direction. Turn the silver prop nuts clockwise to tighten. Turn the gold prop nuts counterclockwise to tighten.



Optional Camera Mount

A Camera mounting points

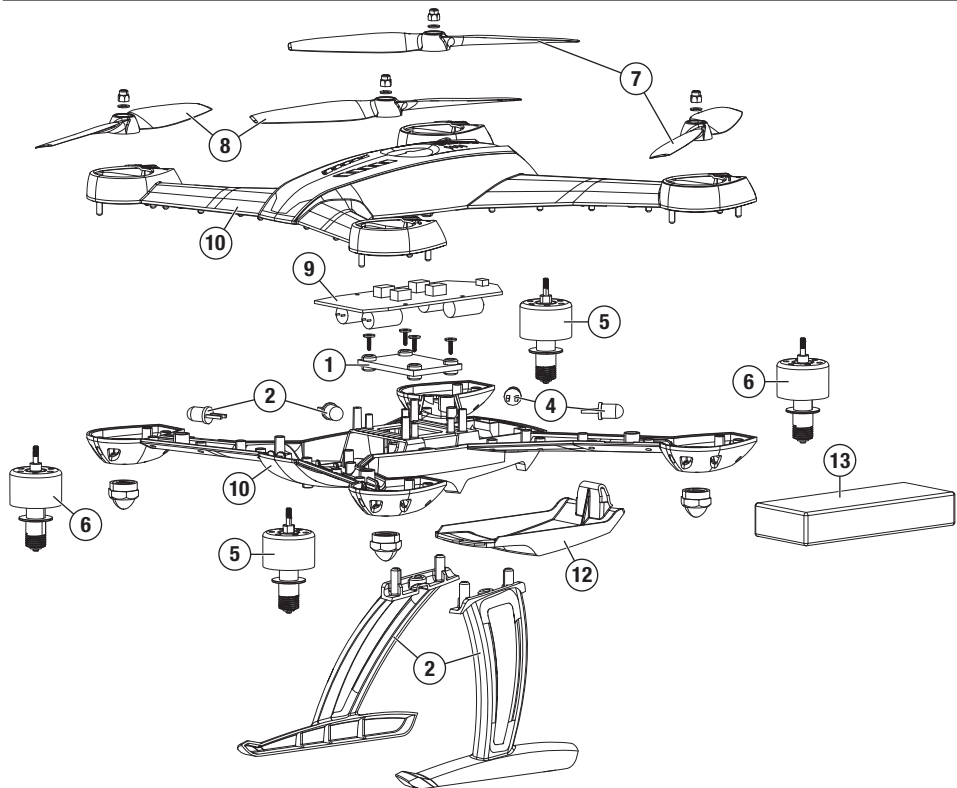
B Camera / Software update port



Troubleshooting Guide

Problem	Possible Cause	Solution
Quadcopter control response is inconsistent or requires extra trim to neutralize movement	Aircraft not initialized on a level surface	Disconnect the flight battery, center the control trim and re-initialize the quadcopter
	Battery not correctly placed in battery slot	Adjust battery position so quadcopter balances in the center of the frame
Quadcopter will not respond to throttle	Throttle too high and/or throttle trim is too high	Reset controls with the throttle stick and throttle trim at the lowest setting
	Quadcopter moved during initialization	Disconnect the flight battery and re-initialize the quadcopter while keeping the quadcopter from moving
	Throttle channel is reversed	Disconnect flight battery, reverse the throttle channel on the transmitter, reconnect flight battery
Quadcopter does not function and smells burnt after connecting the flight battery	Flight battery connected with the wrong polarity	Replace the 4-in-1 board. Connect the flight battery noting proper polarity
Quadcopter has reduced flight time or is underpowered	Flight battery charge is low	Completely recharge the flight battery
	Inadequate power to flight battery charger	Use a different power source for the charger
	Flight battery is damaged	Replace the flight battery and follow the flight battery instructions
	Flight conditions might be too cold	Make sure the battery is warm (room temperature) before use
LED on receiver flashes rapidly and aircraft will not respond to transmitter (during binding)	Transmitter too near aircraft during binding process	Power off the transmitter. Move the transmitter a larger distance from the aircraft. Disconnect and reconnect the flight battery to the aircraft. Follow the binding instructions
	Bind switch or button was not held while transmitter was powered on	Power off transmitter and repeat bind process
	Aircraft or transmitter is too close to large metal object, wireless source or another transmitter	Move aircraft and transmitter to another location and attempt binding again
LED on the receiver flashes rapidly and the quadcopter will not respond to the transmitter (after binding)	Less than a 5-second wait between first powering on the transmitter and connecting the flight battery to the quadcopter	Leave the transmitter powered on. Disconnect and reconnect the flight battery to the quadcopter
	The quadcopter is bound to a different model memory (ModelMatch™ transmitters only)	Select the correct model memory on the transmitter. Disconnect and reconnect the flight battery to the quadcopter
	Flight battery or transmitter battery charge is too low	Replace or recharge batteries
	Aircraft or transmitter is too close to large metal object, wireless source or another transmitter	Move aircraft and transmitter to another location and attempt connecting again
Crashes immediately upon lift-off	Propellers in wrong locations or incorrect flight mode selected	Ensure propeller direction and motor direction are correct
	Aileron, elevator or rudder are reversed in the transmitter	Ensure aileron, elevator or rudder are not reversed

Exploded View



Parts Listings

Part #	Description	Part #	Description
1	BLH7701 Main Control Board: 200 QX	9	BLH7709 4-in-1 ESC: 200 QX
2	BLH7702 Landing Gear: 200 QX	10	BLH7710 Body Set: 200 QX
3	BLH7703 Red LEDs: 200 QX	11	BLH7711 Screw Set: 200 QX, <i>not shown</i>
4	BLH7704 Green LEDs: 200 QX	12	BLH7712 Battery Cover: 200 QX
5	BLH7705 Brushless Motor CW Rotation, 3000 Kv: 200 QX	13	EFLB8002SJ 2S 7.4V 20C 800mAh Li-Po Battery
6	BLH7706 Brushless Motor CCW Rotation, 3000 Kv: 200 QX	14	EFLUC1009 2S 800mA Li-Po DC Charger, <i>not shown</i>
7	BLH7707 Gray Propellers: 200 QX	15	EFLC4001/AUS/1EU/UK 12V 500mAh Power Supply (Based upon your sales region), <i>not shown</i>
8	BLH7708 Red Propellers: 200 QX		

Optional Parts

Part #	Description	Part #	Description
EFLB8002SJ30	2S 7.4V 30C 800mAh Li-Po Battery		DX6i DSMX 6-Channel Transmitter Only
EFLC3025/AU/EU/UK	Celectra 80W AC/DC Multi-Chemistry Battery Charger (Based upon your sales region)		DX7 DSMX 7-Channel Transmitter Only
	DX4e DSMX 4-Channel Transmitter Only		DX8 DSMX 8-Channel Transmitter Only
	DX5e DSMX 5-Channel Transmitter Only		DX9 DSMX 9-Channel Transmitter Only
			DX18 DSMX 18-Channel Transmitter Only

Limited Warranty

What this Warranty Covers

Horizon Hobby, LLC (Horizon) warrants to the original purchaser that the product purchased (the "Product") will be free from defects in materials and workmanship at the date of purchase.

What is Not Covered

This warranty is not transferable and does not cover (i) cosmetic damage, (ii) damage due to acts of God, accident, misuse, abuse, negligence, commercial use, or due to improper use, installation, operation or maintenance, (iii) modification of or to any part of the Product, (iv) attempted service by anyone other than a Horizon Hobby authorized service center, (v) Product not purchased from an authorized Horizon dealer, or (vi) Product not compliant with applicable technical regulations.

OTHER THAN THE EXPRESS WARRANTY ABOVE, HORIZON MAKES NO OTHER WARRANTY OR REPRESENTATION, AND HEREBY DISCLAIMS ANY AND ALL IMPLIED WARRANTIES, INCLUDING, WITHOUT LIMITATION, THE IMPLIED WARRANTIES OF NON-INFRINGEMENT, MERCHANTABILITY AND FITNESS FOR A PARTICULAR PURPOSE. THE PURCHASER ACKNOWLEDGES THAT THEY ALONE HAVE DETERMINED THAT THE PRODUCT WILL SUITABLY MEET THE REQUIREMENTS OF THE PURCHASER'S INTENDED USE.

Purchaser's Remedy

Horizon's sole obligation and purchaser's sole and exclusive remedy shall be that Horizon will, at its option, either (i) service, or (ii) replace, any Product determined by Horizon to be defective. Horizon reserves the right to inspect any and all Product(s) involved in a warranty claim. Service or replacement decisions are at the sole discretion of Horizon. Proof of purchase is required for all warranty claims. SERVICE OR REPLACEMENT AS PROVIDED UNDER THIS WARRANTY IS THE PURCHASER'S SOLE AND EXCLUSIVE REMEDY.

Limitation of Liability

HORIZON SHALL NOT BE LIABLE FOR SPECIAL, INDIRECT, INCIDENTAL OR CONSEQUENTIAL DAMAGES, LOSS OF PROFITS OR PRODUCTION OR COMMERCIAL LOSS IN ANY WAY, REGARDLESS OF WHETHER SUCH CLAIM IS BASED IN CONTRACT, WARRANTY, TORT, NEGLIGENCE, STRICT LIABILITY OR ANY OTHER THEORY OF LIABILITY, EVEN IF HORIZON HAS BEEN ADVISED OF THE POSSIBILITY OF SUCH DAMAGES.

Further, in no event shall the liability of Horizon exceed the individual price of the Product on which liability is asserted. As Horizon has no control over use, setup, final assembly, modification or misuse, no liability shall be assumed nor accepted for any resulting damage or injury. By the act of use, setup or assembly, the user accepts all resulting liability. If you as the purchaser or user are not prepared to accept the liability associated with the use of the Product, purchaser is advised to return the Product immediately in new and unused condition to the place of purchase.

Law

These terms are governed by Illinois law (without regard to conflict of law principals). This warranty gives you specific legal rights, and you may also have other rights which vary from state to state. Horizon reserves the right to change or modify this warranty at any time without notice.

WARRANTY SERVICES

Questions, Assistance, and Services

Your local hobby store and/or place of purchase cannot provide warranty support or service. Once assembly, setup or use of the Product has been started, you must contact your local distributor or Horizon directly. This will enable Horizon to better answer your

questions and service you in the event that you may need any assistance. For questions or assistance, please visit our website at www.horizonhobby.com, submit a Product Support Inquiry, or call the toll free telephone number referenced in the Warranty and Service Contact Information section to speak with a Product Support representative.

Inspection or Services

If this Product needs to be inspected or serviced and is compliant in the country you live and use the Product in, please use the Horizon Online Service Request submission process found on our website or call Horizon to obtain a Return Merchandise Authorization (RMA) number. Pack the Product securely using a shipping carton. Please note that original boxes may be included, but are not designed to withstand the rigors of shipping without additional protection. Ship via a carrier that provides tracking and insurance for lost or damaged parcels, as Horizon is not responsible for merchandise until it arrives and is accepted at our facility. An Online Service Request is available at http://www.horizonhobby.com/content/_service-center_render-service-center. If you do not have internet access, please contact Horizon Product Support to obtain a RMA number along with instructions for submitting your product for service. When calling Horizon, you will be asked to provide your complete name, street address, email address and phone number where you can be reached during business hours. When sending product into Horizon, please include your RMA number, a list of the included items, and a brief summary of the problem. A copy of your original sales receipt must be included for warranty consideration. Be sure your name, address, and RMA number are clearly written on the outside of the shipping carton.

NOTICE: Do not ship LiPo batteries to Horizon. If you have any issue with a LiPo battery, please contact the appropriate Horizon Product Support office.

Warranty Requirements

For Warranty consideration, you must include your original sales receipt verifying the proof-of-purchase date.

Provided warranty conditions have been met, your Product will be serviced or replaced free of charge. Service or replacement decisions are at the sole discretion of Horizon.

Non-Warranty Service

Should your service not be covered by warranty, service will be completed and payment will be required without notification or estimate of the expense unless the expense exceeds 50% of the retail purchase cost. By submitting the item for service you are agreeing to payment of the service without notification. Service estimates are available upon request. You must include this request with your item submitted for service. Non-warranty service estimates will be billed a minimum of ½ hour of labor. In addition you will be billed for return freight. Horizon accepts money orders and cashier's checks, as well as Visa, MasterCard, American Express, and Discover cards. By submitting any item to Horizon for service, you are agreeing to Horizon's Terms and Conditions found on our website http://www.horizonhobby.com/content/_service-center_render-service-center.

ATTENTION: Horizon service is limited to Product compliant in the country of use and ownership. If received, a non-compliant Product will not be serviced. Further, the sender will be responsible for arranging return shipment of the un-serviced Product, through a carrier of the sender's choice and at the sender's expense. Horizon will hold non-compliant Product for a period of 60 days from notification, after which it will be discarded.

Warranty and Service Contact Information

Country of Purchase	Horizon Hobby	Contact Information	Address
United States of America	Horizon Service Center (Repairs and Repair Requests)	servicecenter.horizonhobby.com/RequestForm/	4105 Fieldstone Rd Champaign, Illinois, 61822 USA
	Horizon Product Support (Product Technical Assistance)	www.quickbase.com/db/bghj7ey8c?a=GenNewRecord 888-959-2304	
	Sales	sales@horizonhobby.com 888-959-2304	
United Kingdom	Service/Parts/Sales: Horizon Hobby Limited	sales@horizonhobby.co.uk +44 (0) 1279 641 097	Units 1-4 , Ployters Rd, Staple Tye Harlow, Essex, CM18 7NS, United Kingdom
Germany	Horizon Technischer Service Sales: Horizon Hobby GmbH	service@horizonhobby.de +49 (0) 4121 2655 100	Christian-Junge-Straße 1 25337 Elmshorn, Germany
France	Service/Parts/Sales: Horizon Hobby SAS	infofrance@horizonhobby.com +33 (0) 1 60 18 34 90	11 Rue Georges Charpak 77127 Lieusaint, France
China	Service/Parts/Sales: Horizon Hobby – China	info@horizonhobby.com.cn +86 (021) 5180 9868	Room 506, No. 97 Changshou Rd. Shanghai, China 200060

Compliance Information for the European Union

Declaration of Conformity

(in accordance with ISO/IEC 17050-1)

No. HH2014051101

Product(s): BLH 200 QX BL BNF

Item Number(s): BLH7780EU / BLH7780UK

Equipment class: 1

The object of declaration described above is in conformity with the requirements of the specifications listed below, following the provisions of the European R&TTE directive 1999/5/EC, EMC Directive 2004/108/EC and LVD Directive 2006/95/EC:

EN 301 489-1 V1.9.2: 2012

EN 301 489-17 V2.1.1: 2009

EN60950-1:2006+A11:2009+A1:2010+A12: 2011

EN61000-3-2:2006+A1:2009+A2:2009

EN61000-3-3:2008

EN55022:2010 + AC:2011

EN55024:2010



Signed for and on behalf of:
Horizon Hobby, LLC.
Champaign, IL USA
May 11, 2014

Robert Peak
Chief Financial Officer
Horizon Hobby, LLC

Instructions for disposal of WEEE by users in the European Union



This product must not be disposed of with other waste. Instead, it is the user's responsibility to dispose of their waste equipment by handing it over to a designated collections point for the recycling of waste electrical and electronic equipment. The separate collection and recycling of your waste equipment at the time of disposal will help to conserve natural resources and make sure that it is recycled in a manner that protects human health and the environment. For more information about where you can drop off your waste equipment for recycling, please contact your local city office, your household waste disposal service or where you purchased the product.

©2014 Horizon Hobby, LLC.

Blade, E-flite, SAFE, the SAFE logo, DSM, DSM2, DSMX, the BNF logo, ModelMatch, Celectra and the Horizon Hobby logo are trademarks or registered trademarks of Horizon Hobby, LLC.

The Spektrum trademark is used with permission of Bachmann Industries, Inc. Futaba is a registered trademark of Futaba Denshi Kogyo Kabushiki Kaisha Corporation of Japan. All other trademarks, service marks or logos are property of their respective owners. Patents pending. Created 5/14 43513.1 BLH7780