

RALLY MASTER

R/C Off-Road Master Rallye series

Electric
AGES 14+
适用于年龄14岁以上



2.4Ghz Version **4WD** Four Wheel Drive
MAXIMUM TRACTION ON ANY SURFACE

长度：550毫米	车轮外直径：76毫米	Length : 21.65 Inches (550mm)	Wheel Diameter : 3 Inches (76mm) Outer
前轮距：296毫米	全车采用双差速粉末金速伞齿轮 +CNC轴	Front Track : 11.65 Inches (296mm)	Twin Differential Sintered Hardened Steel Bevel Gears With CNC Axis
后轮距：296毫米		Rear Track : 11.65 Inches (296mm)	
轴距：324毫米	高性能模型滚动轴承	Wheelbase : 12.75 Inches (324mm)	High-speed Ball Bearings
轮胎直径：109.5毫米 (前部和后部)	超强抓地力、超耐磨橡胶轮胎	Tire Diameter : 4.31 Inches (109.5mm) (front and rear)	Great grip and super wear-resisting rubber tires

有刷标准版 Brushed Standard Edition (RTR)

全车采用高性能复合尼龙工程塑胶材料
High Performance Composite Nylon Materials
采用模型专用高放电镍氢、锂电池
Advanced high discharge, high capacity and high power NiMH & LI-PO battery technology
采用模型专用550强磁马达
Professional hobby 550 modified maximum magnetic brushed motor
采用防水高反应、大功率电子调速器
Ultra-smooth, high-frequency operation, high-power handing capability and waterproof brushed Esc
高性能复合尼龙材料、合金盖充油阻尼避震器
High Performance Composite Nylon Materials
The alloy cap oil-filled damp shocks configuration
采用可调节摩擦器
Adjustable Slipper Clutch

竞赛升级版无刷 Professional Upgrade(PRO)

全车采用高性能超强抗冲击复合尼龙工程塑胶材料
High Performance Ultra Rugged Composite Nylon Materials
采用模型专用高放电镍氢、锂电池
Advanced high discharge, high capacity and high power NiMH & LI-PO battery technology
采用模型专用无刷马达
Professional hobby brushless motor
采用高反应、大功率无刷电子调速器
Ultra-smooth, high-frequency operation and high-power handing capability brushless Esc
合金高容量油压阻尼GTR避震器
Front and Rear dual Alloy High-Capacity Damp GTR Shocks
采用金属可调节摩擦器
Adjustable Alloy Slipper Clutch
采用金属前后主动轴连接器
Front and Rear hardened steel Center Driveshaft hub

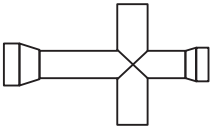
Addition Accessories 配送工具

Tools Recommended 推荐工具

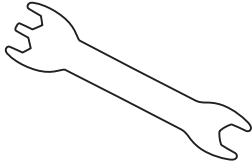
Hex Wrench 六角扳钳



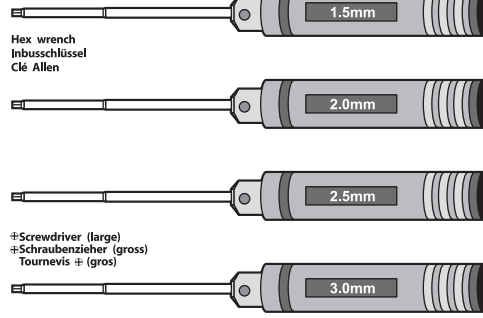
Small Cross Tool 小十字套筒



Wrench (small) 扳手 (小的)



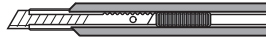
Hex screwdrivers
内六角螺丝刀



Hex wrench
Inbusschlüssel
Clé Allen

*Screwdriver (large)
*Schraubenzieher (gross)
*Tournevis * (gros)

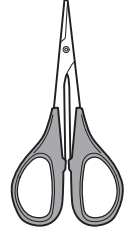
Modeling knife
Modellermesser
Couteau de modéliste
刮刀



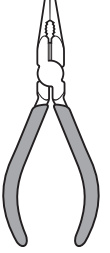
Side cutter
Seitenschneider
Pinces coupantes
剪钳



Curved scissors
Schere
Ciseaux
剪刀



Long nose pliers
Flachzange
Pinces à becs longs
尖嘴钳

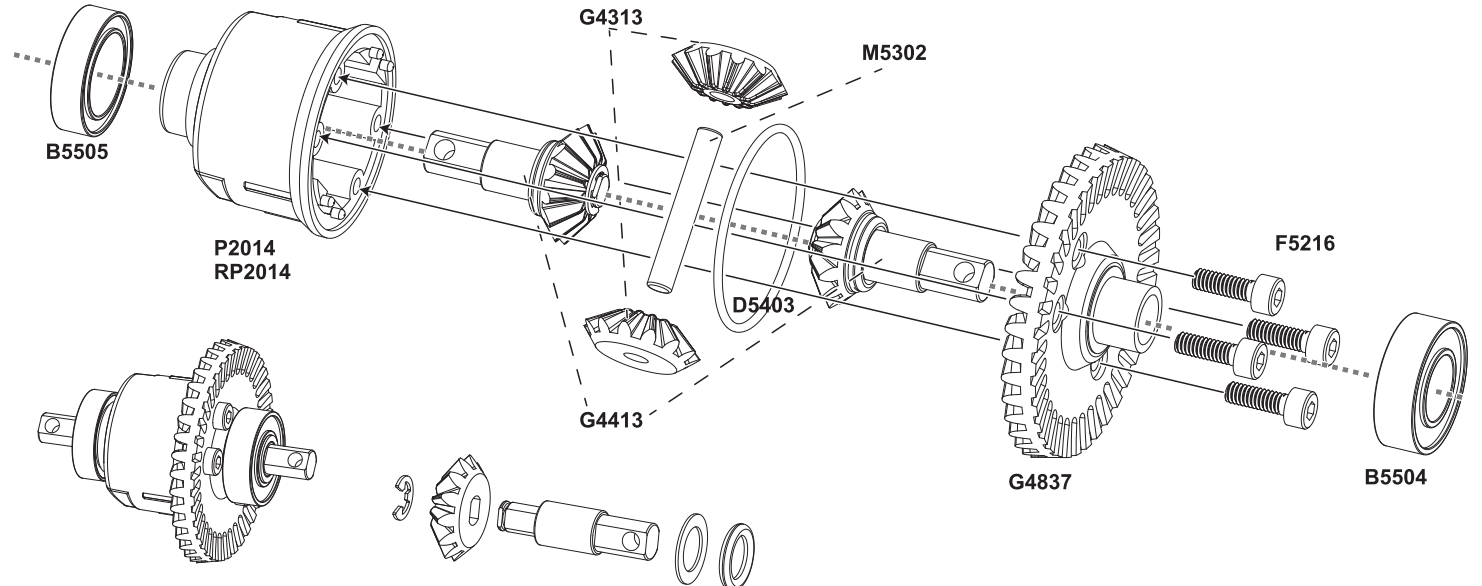
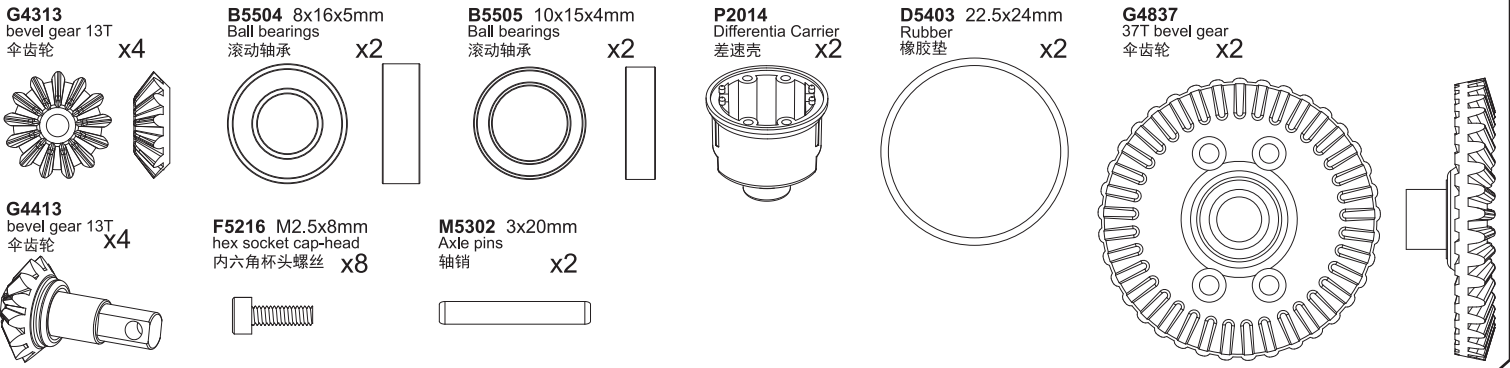


Model Glue
模型胶水

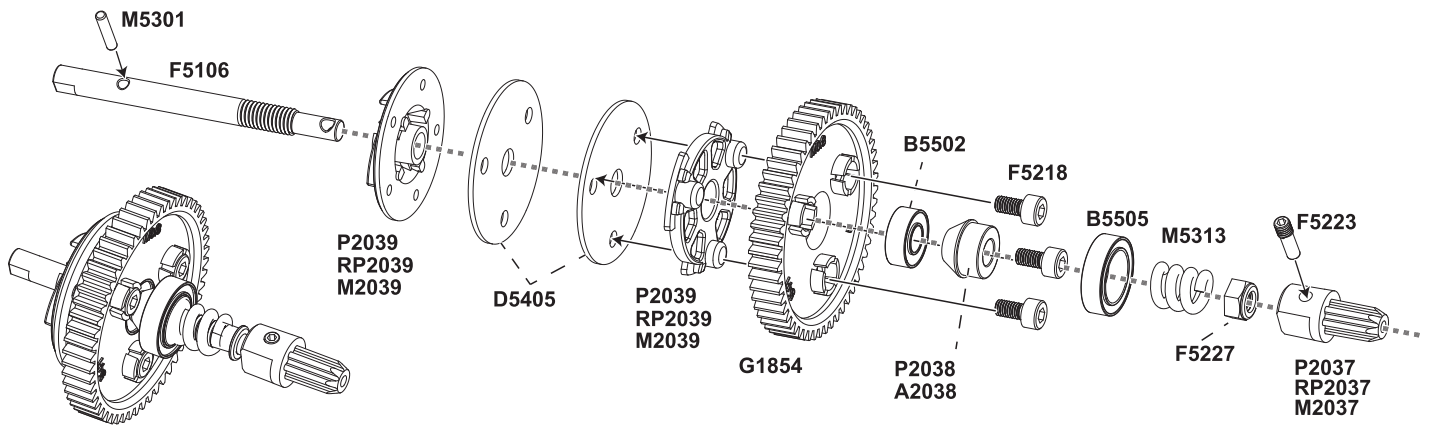
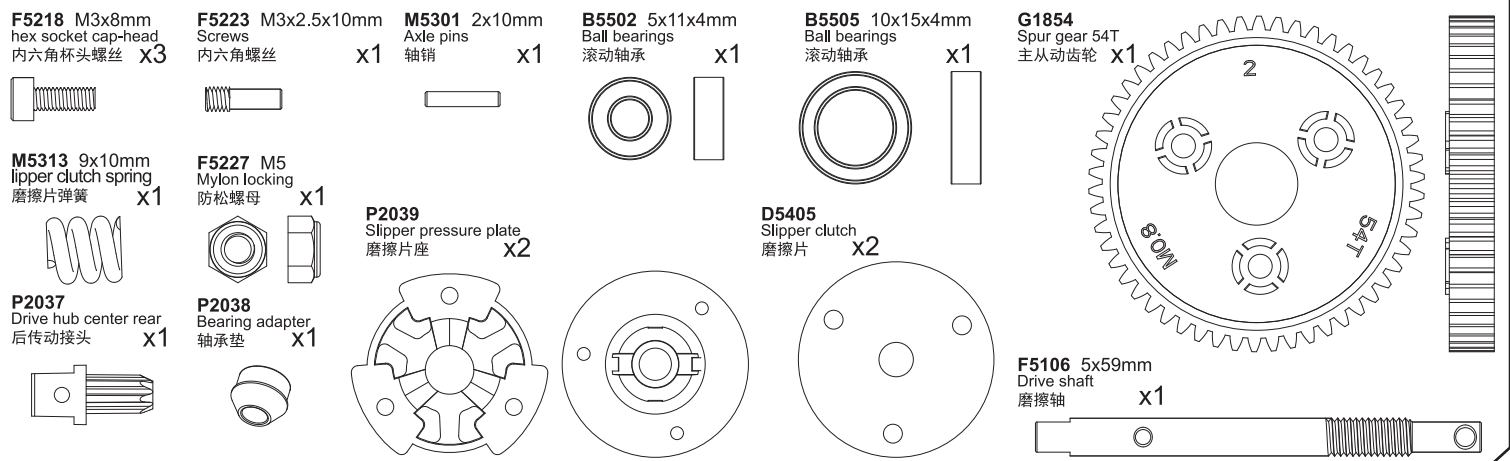


A2022T 	D5404 	P2022D 	P2022E 	P2022F 	P2022K 	A2022T 	
P2022A 	P2049A 	F5107 	F5108 	P8961 Shock Absorber Assembly Front 前避震器 			M5311
P2022A 		P2049A 		F5107 			P2022S
M5311 	P2022I 	P2022M 	P2030A 	P8962 Shock Absorber Assembly Rear 后避震器 			D5404
P2022N 	P2022S 	D5401 	M5317 	P2024 Rod ends front 前拉杆 			M5317
P2027 Steering Rod ends 转向拉杆 		P2024 Rod ends rear 后拉杆 		P2024 Rod ends rear 后拉杆 			P2022F
P2027 Steering Rod ends 转向拉杆 		P2024 Rod ends rear 后拉杆 		P2024 Rod ends rear 后拉杆 			P2022E
P2027 Steering Rod ends 转向拉杆 		P2024 Rod ends rear 后拉杆 		P2024 Rod ends rear 后拉杆 			D5401
P2027 Steering Rod ends 转向拉杆 		P2024 Rod ends rear 后拉杆 		P2024 Rod ends rear 后拉杆 			P2022N
P2027 Steering Rod ends 转向拉杆 		P2024 Rod ends rear 后拉杆 		P2024 Rod ends rear 后拉杆 			P2022D
P2027 Steering Rod ends 转向拉杆 		P2024 Rod ends rear 后拉杆 		P2024 Rod ends rear 后拉杆 			P2022M
P2027 Steering Rod ends 转向拉杆 		P2024 Rod ends rear 后拉杆 		P2024 Rod ends rear 后拉杆 			M5311
P2027 Steering Rod ends 转向拉杆 		P2024 Rod ends rear 后拉杆 		P2024 Rod ends rear 后拉杆 			P2030A

Front/Rear Differential Gear Assembly 前后差速器总成



Throttle Gear with Slipper Clutch System Assembly 减速齿轮和磨擦离合器系统总成

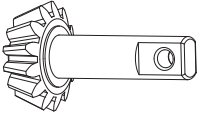


Front Differential Gear Box Assembly 前差速箱总成

F5223 M3x2.5x10mm
Screws
内六角螺丝 x1



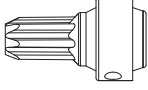
G4513 x1



F5204 M3x10mm
hex socket button head
内六角半圆头螺丝 x2



P2028
Drive hub center front
前传动接头 x1



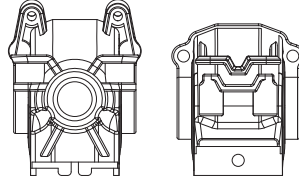
F5206 M3x15mm
hex socket button head
内六角半圆头螺丝 x2



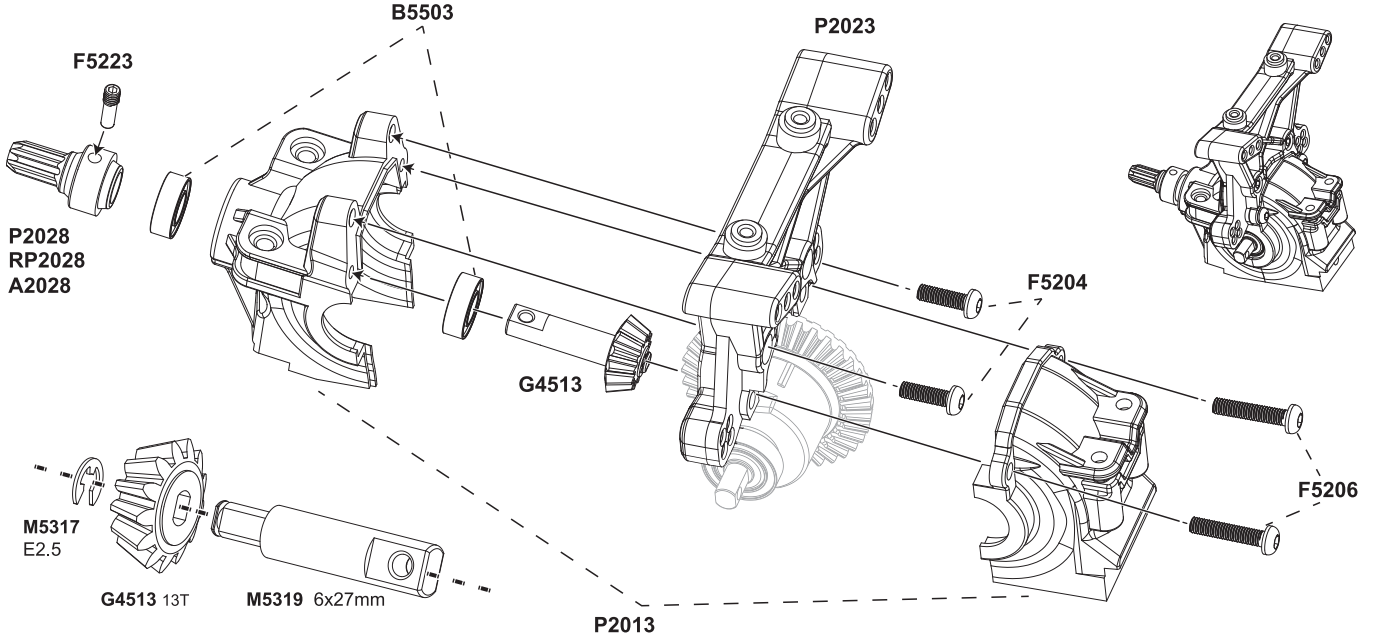
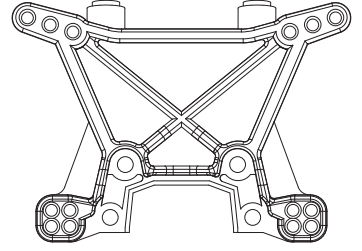
B5503 6x12x4mm
Ball bearings
滚动轴承 x2



P2013
Housings differential front
前差速箱壳 x2



P2023
Shock tower front
前减震器座 x1

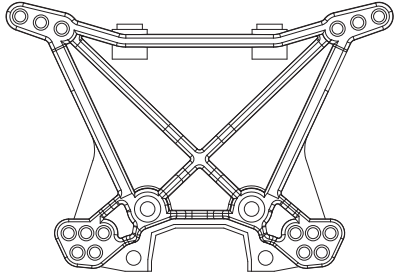


Rear Differential Gear Box Assembly 后差速箱总成

F5204 M3x10mm
hex socket button head
内六角半圆头螺丝 x2



P2042
Shock tower rear
后减震器座 x1



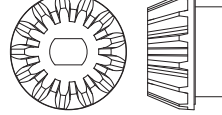
F5206 M3x15mm
hex socket button head
内六角半圆头螺丝 x2



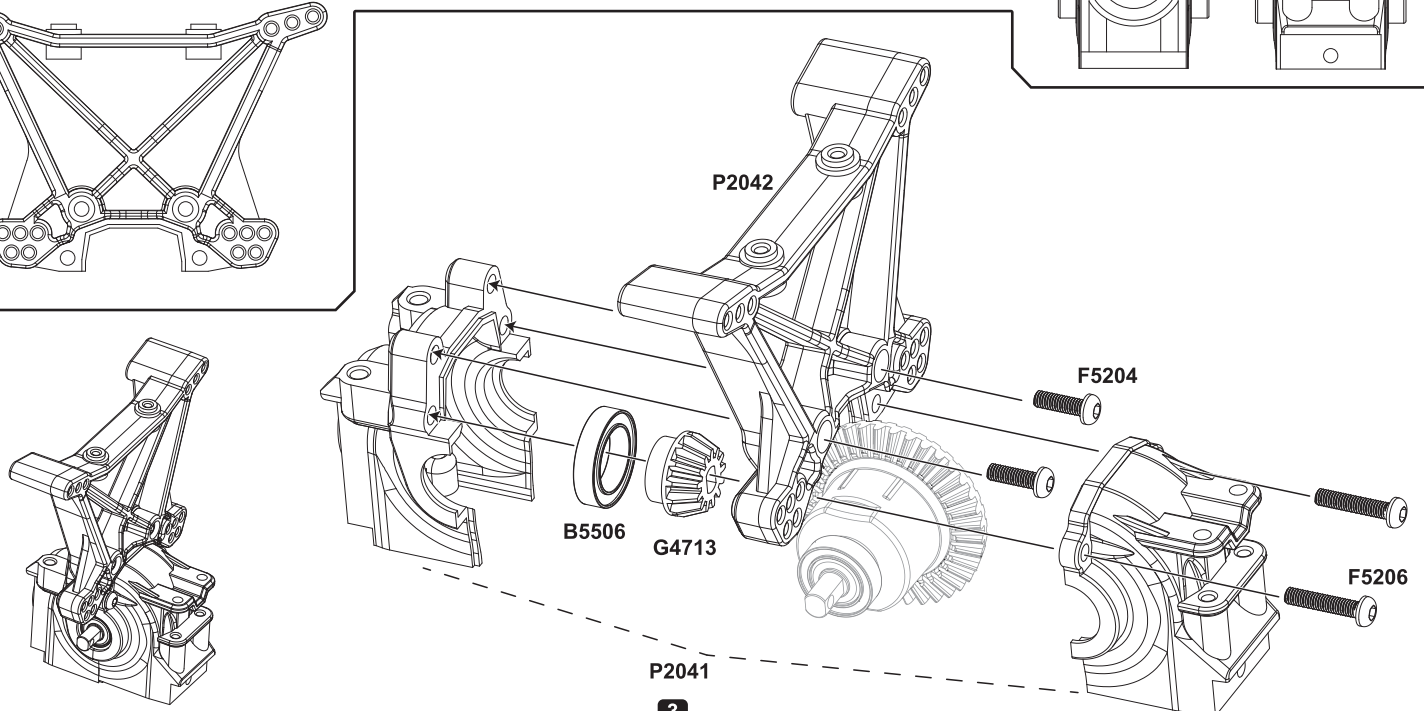
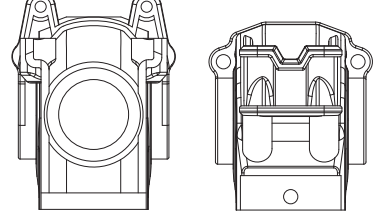
B5506 12x18x4mm
Ball bearings
滚动轴承 x1



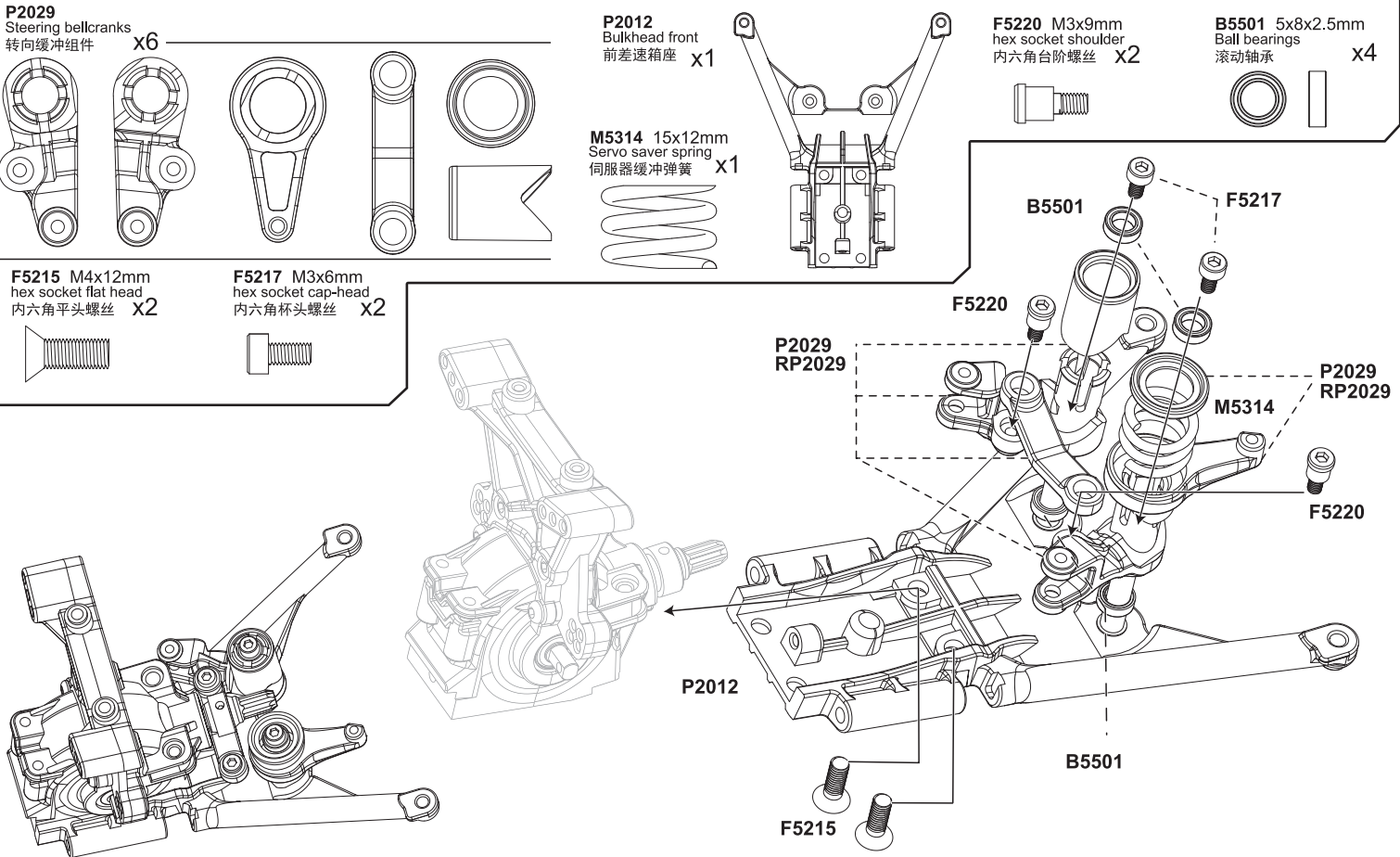
G47 13
bevel gear 13T
伞齿轮 x1



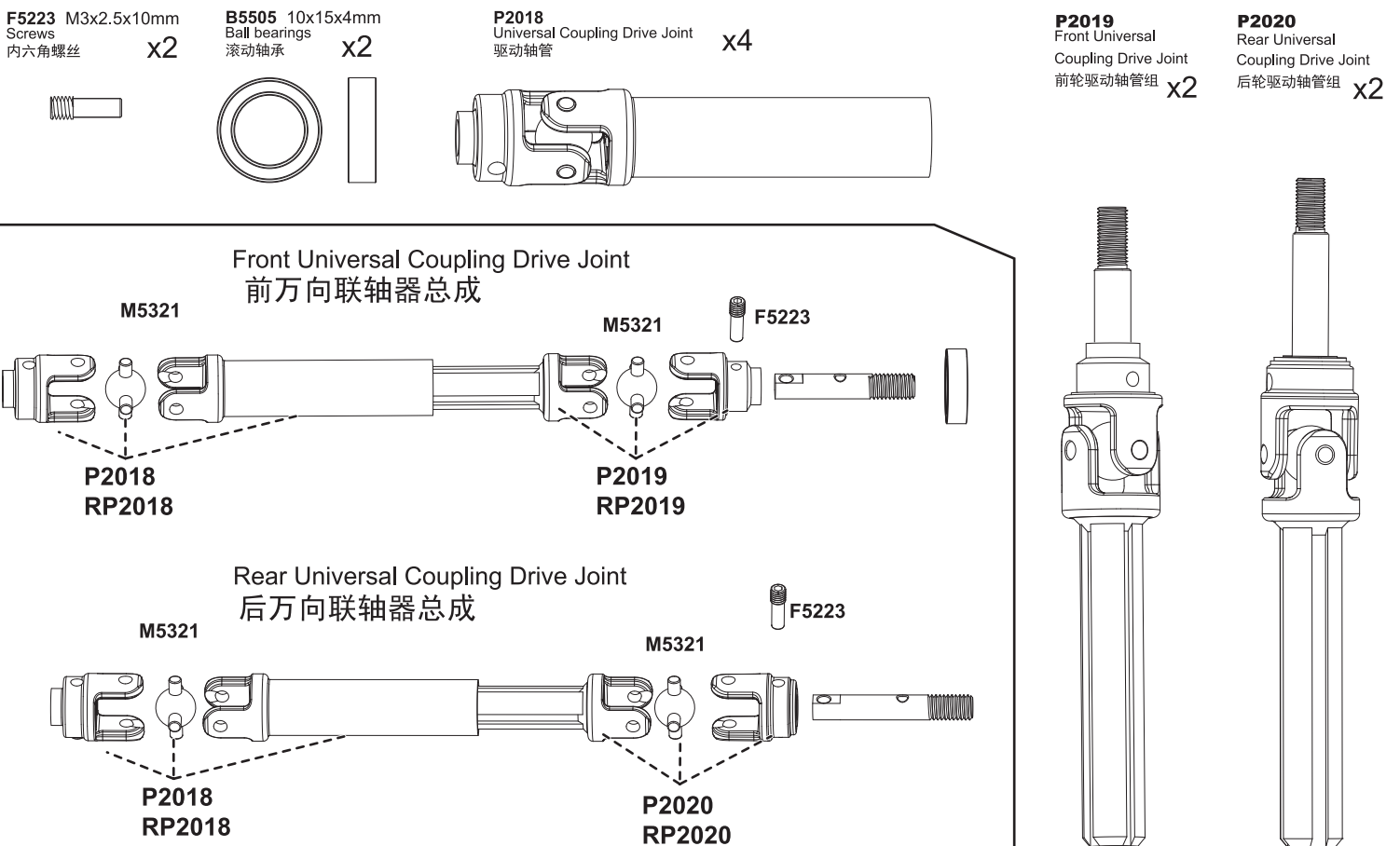
P2041
Housings differential rear
后差速箱壳 x2



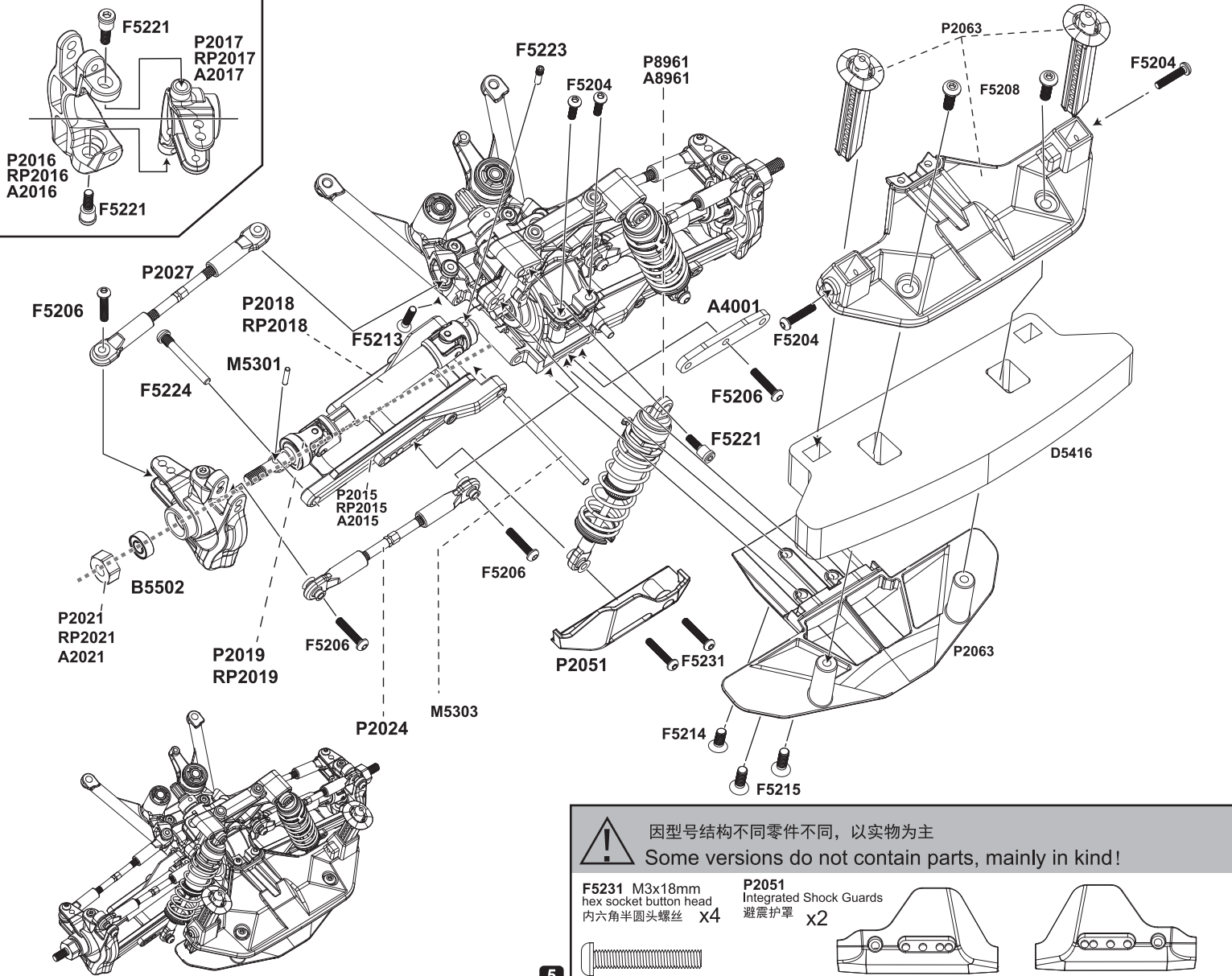
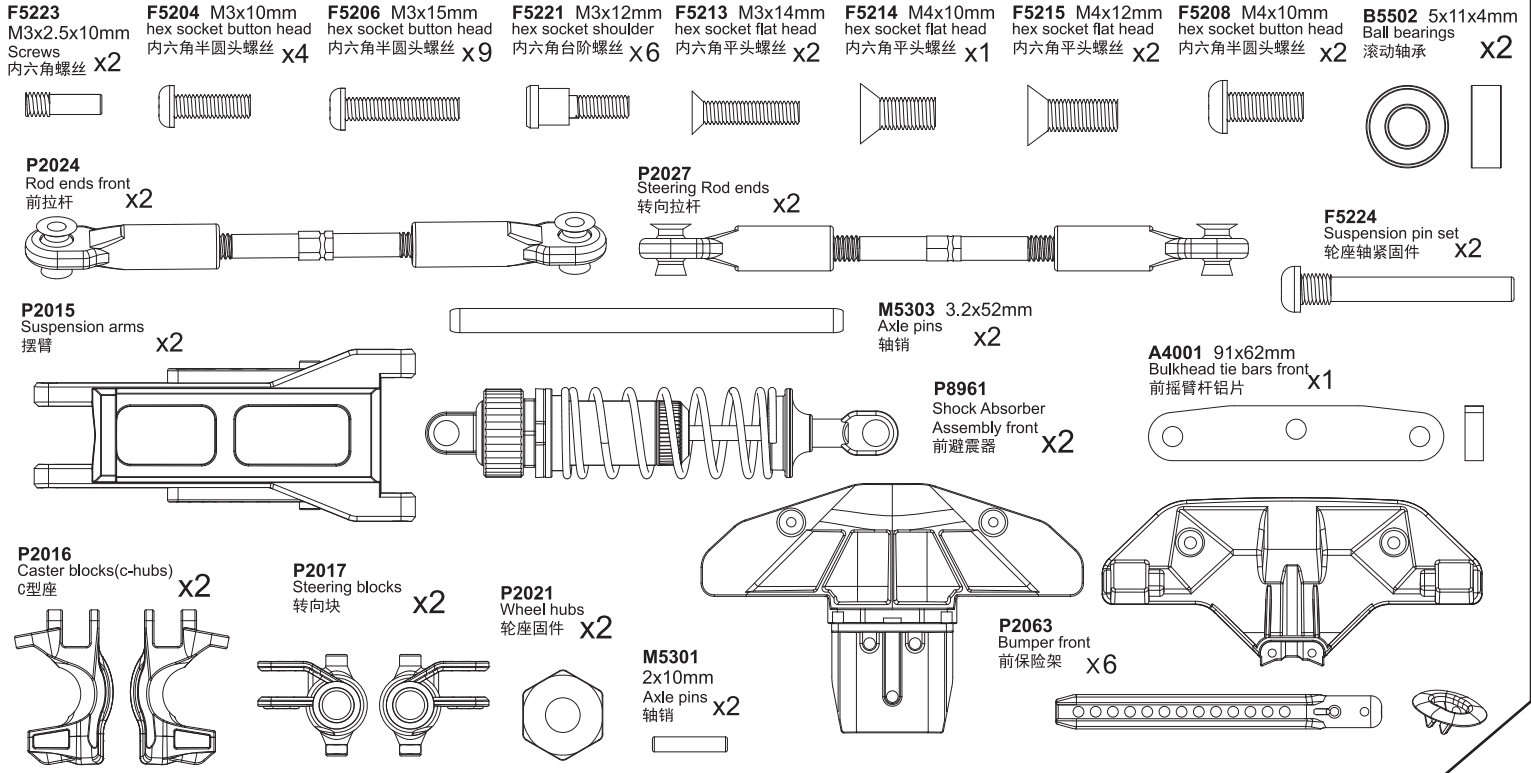
Servo Saver/Steering Assembly 转向缓冲总成



Front Rear Universal Coupling Drive Joint 前后万向联轴器总成



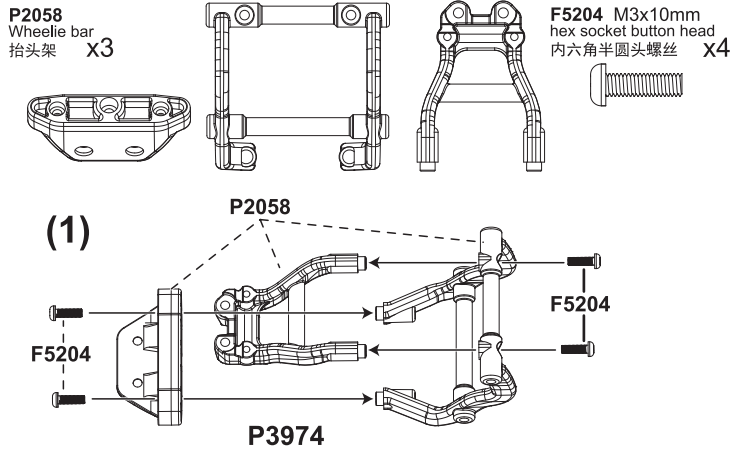
Front Unit Complete 前部份总成



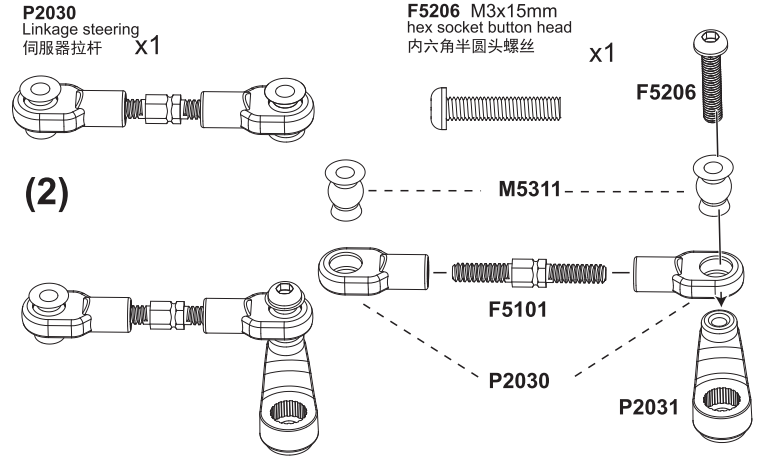
! 因型号结构不同零件不同，以实物为主
Some versions do not contain parts, mainly in kind!

<p>F5231 M3x18mm hex socket button head 内六角半圆头螺丝 x4</p> 	<p>P2051 Integrated Shock Guards 避震护罩 x2</p> 
--	---

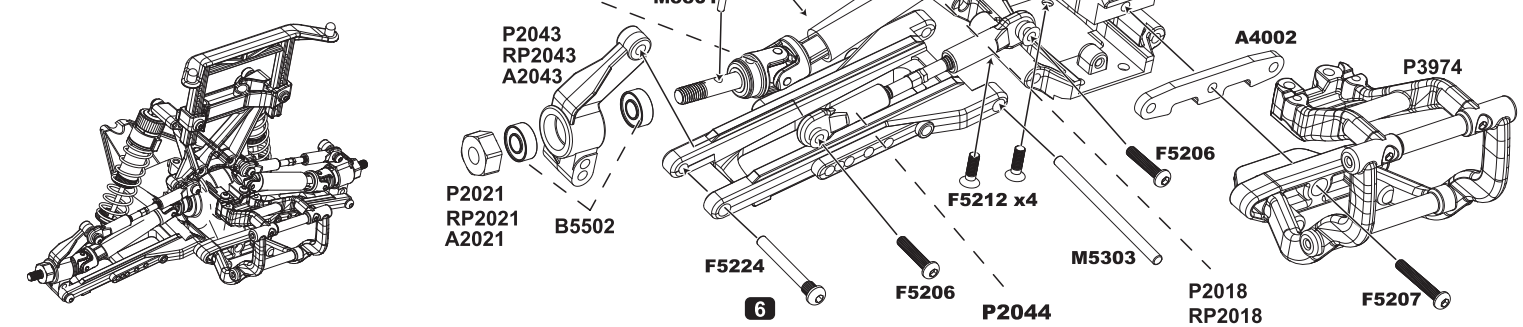
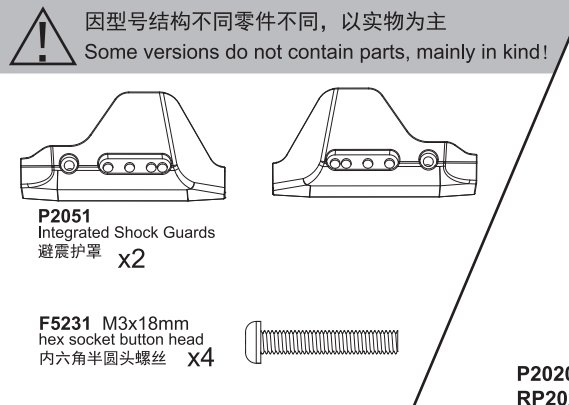
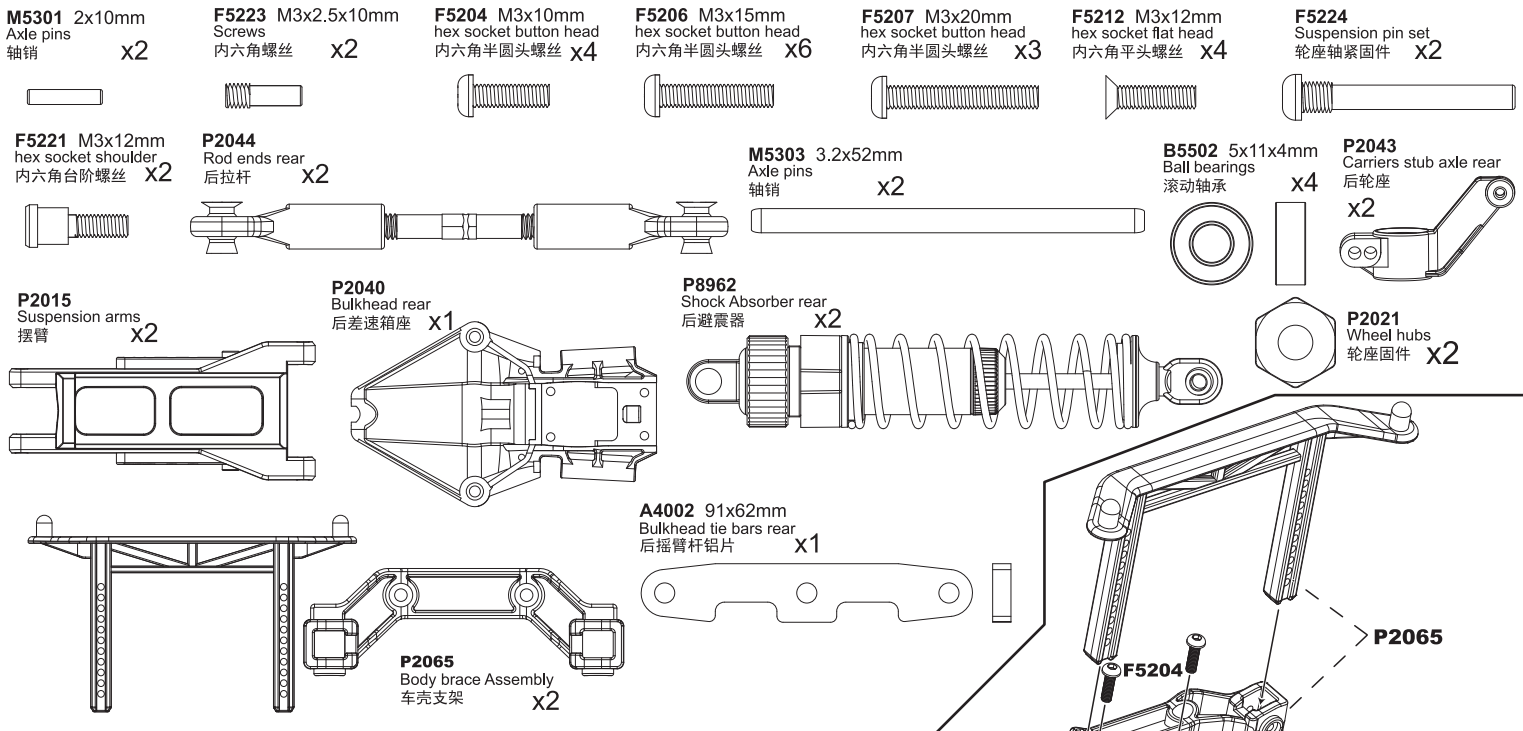
(1) Bumper rear 后保险架



(2) Servo Arm/Steering Arm Assembly 伺服器搖臂拉杆



Rear Unit Complete 后部份总成



Chassis System Assembly 底盘系统装配图

F5203 M3x6mm
hex socket button head
内六角半圆头螺丝 X1



F5204 M3x10mm
hex socket button head
内六角半圆头螺丝 X2



F5230 M3x5mm
hex socket flat head
内六角平头螺丝 X1



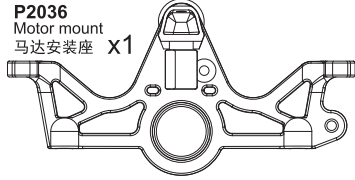
F5210 M3x8mm
hex socket flat head
内六角平头螺丝 X2



F5222 M3x6mm
hex socket flat head
内六角大平头螺丝 X5



P2036
Motor mount
马达安装座 X1



A4004
Center Driver Shaft
合金主驱动轴 X1



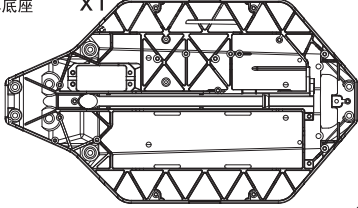
F5219 M3x14mm
hex socket cap-head
内六角杯头螺丝 X1



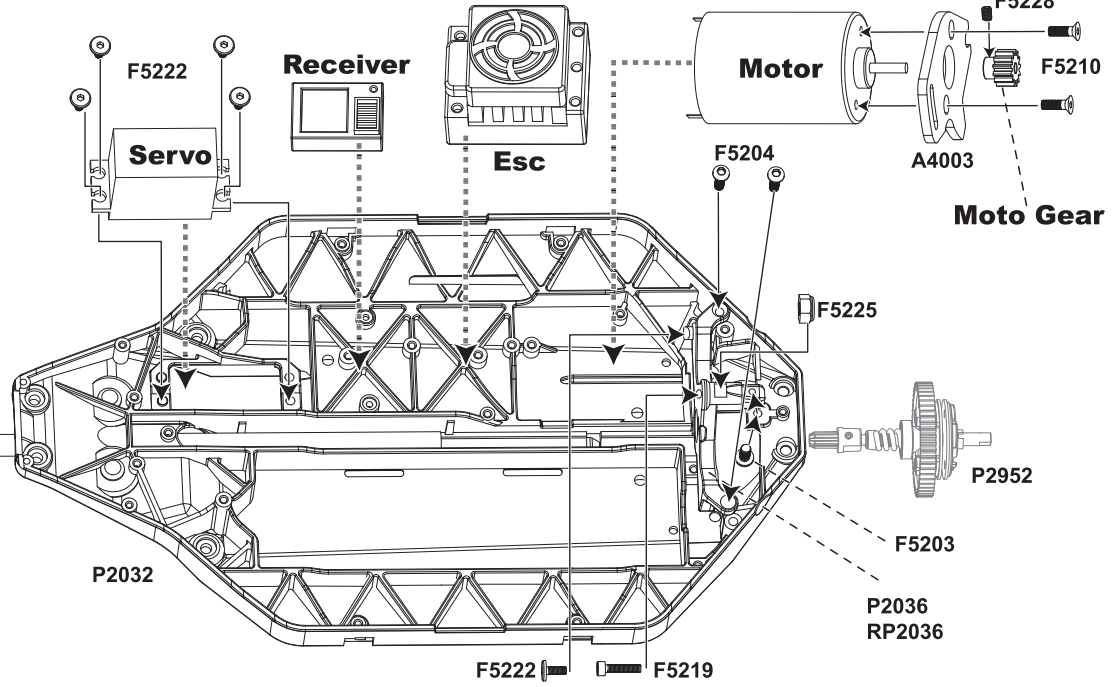
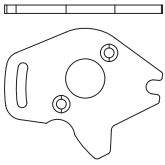
F5225 M3
Mylon locking
防松螺母 X1



P2032
Chassis Slash
车底座 X1



A4003
Plate motor
马达固定片 X1



Assembly View 总装配图

F5203 M3x6mm
hex socket button head
内六角半圆头螺丝 X8



F5208 M4x10mm
hex socket button head
内六角半圆头螺丝 X2



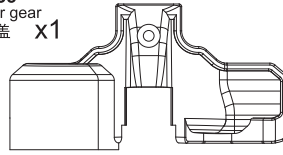
F5209 M4x12mm
hex socket button head
内六角半圆头螺丝 X6



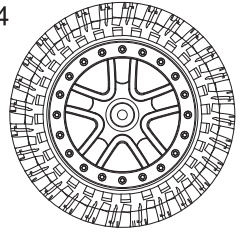
F5226 M4
Mylon locking
防松螺母 X4



P2035
Cover gear
齿轮盖 X1



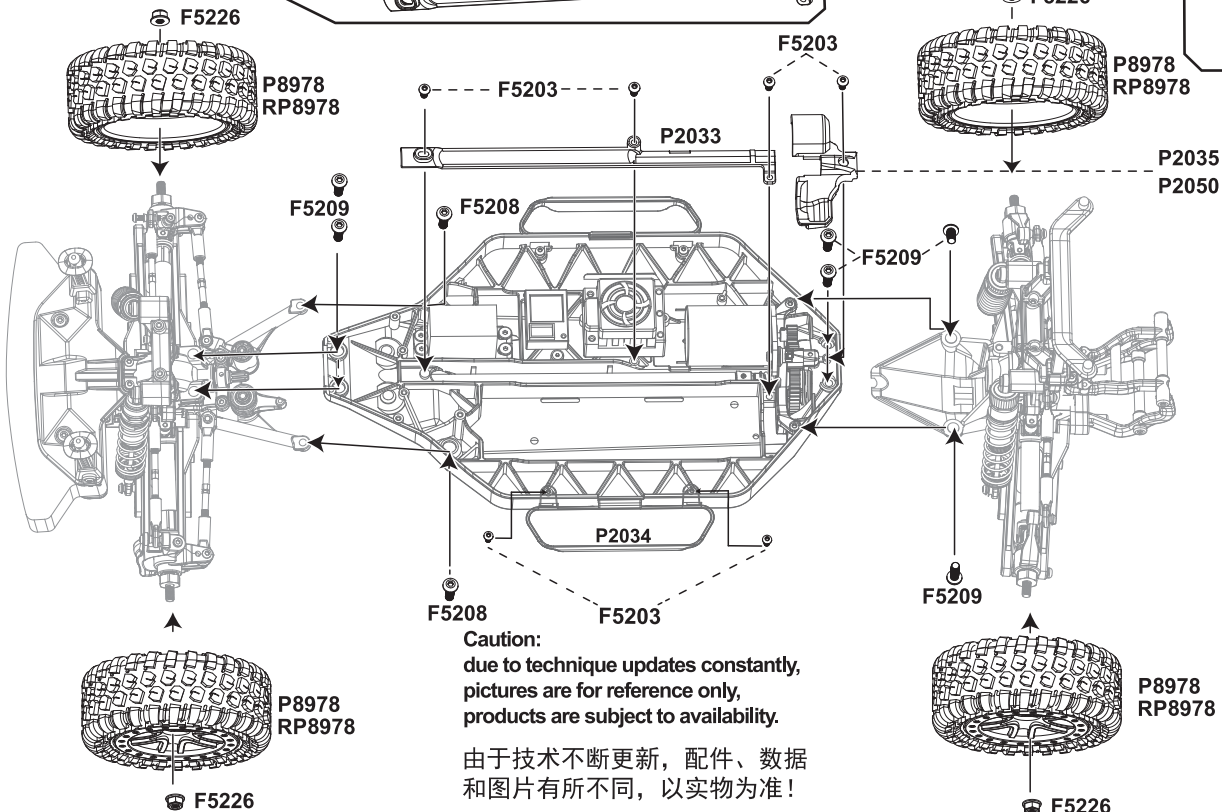
P8978
Tires
轮胎 X4



P2034
Nerf bars chassis
底盘侧杠 X2



P2033
Cover center driveshaft
传动管盖 X1



Caution:
due to technique updates constantly,
pictures are for reference only,
products are subject to availability.

由于技术不断更新，配件、数据
和图片有所不同，以实物为准！