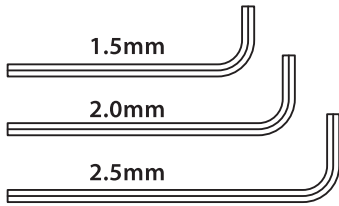


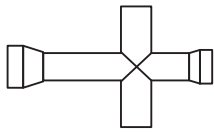
Tools needed for assembly 组装时须用之工具

Addition accessories 配送工具

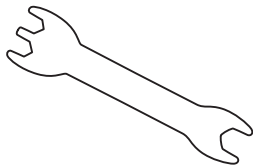
Hex Wrench 六角扳钳



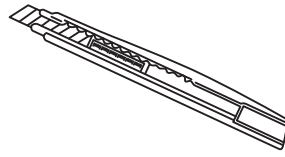
Small Cross Tool 小十字套筒



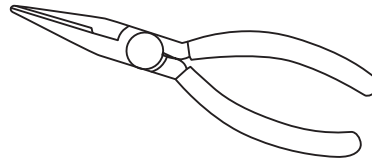
Wrench(small) 扳手(小的)



Hobby knife 刮刀



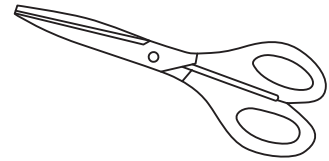
Needle nose pliers 尖嘴钳



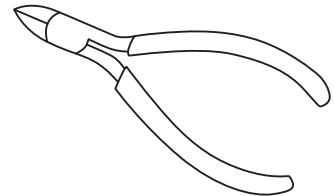
Model Glue 模型胶水



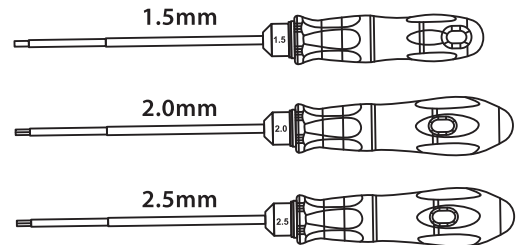
Scissors 剪刀



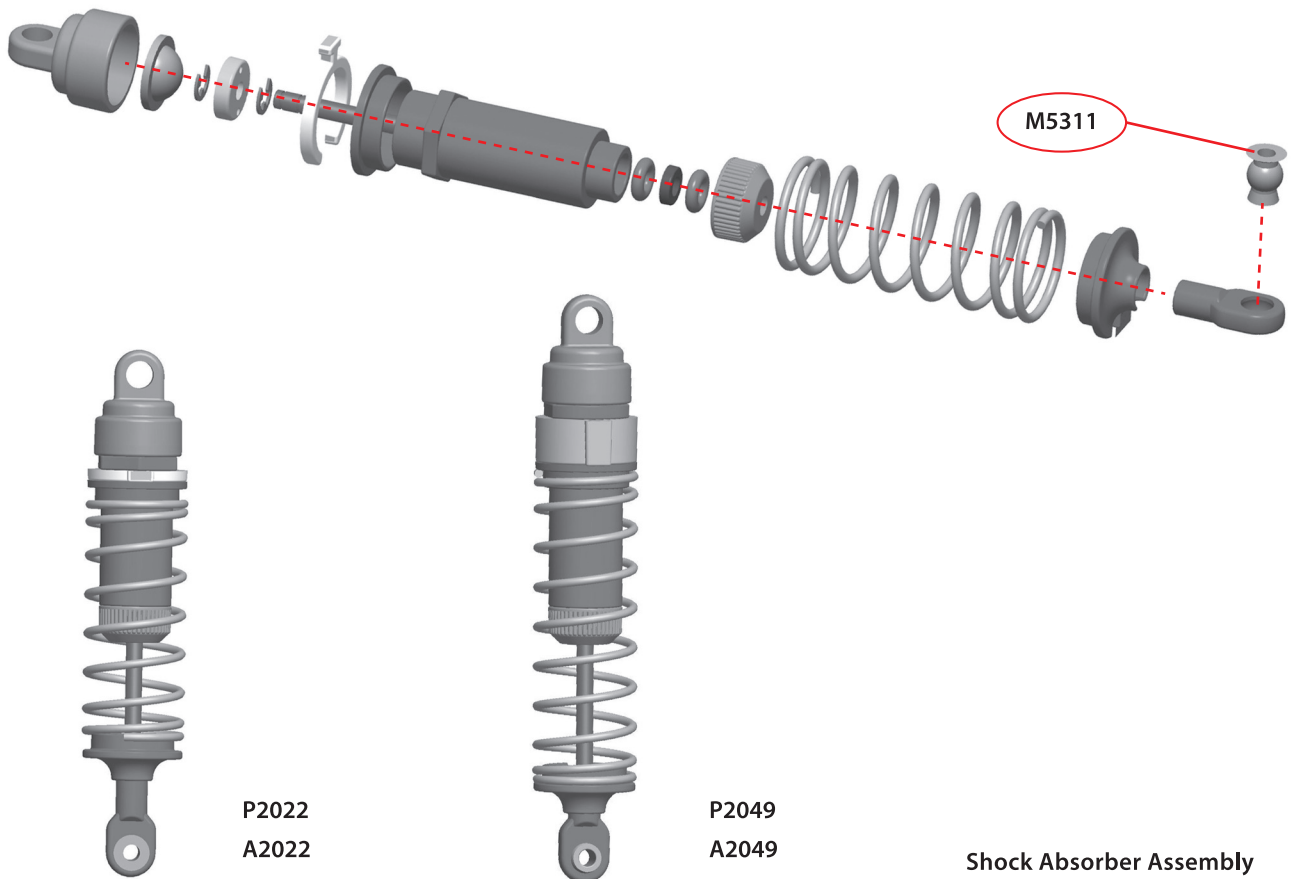
Side cutter 剪钳

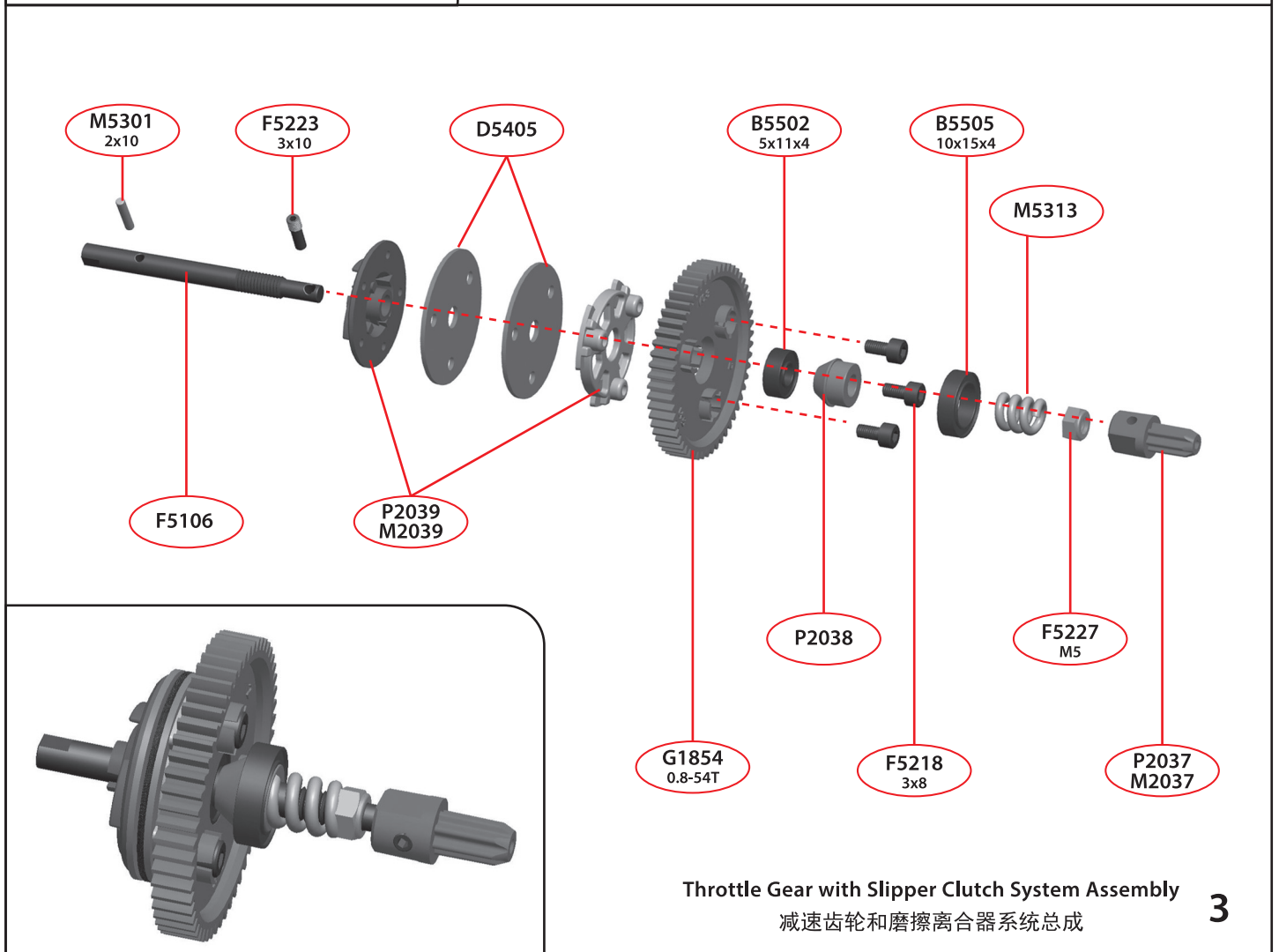
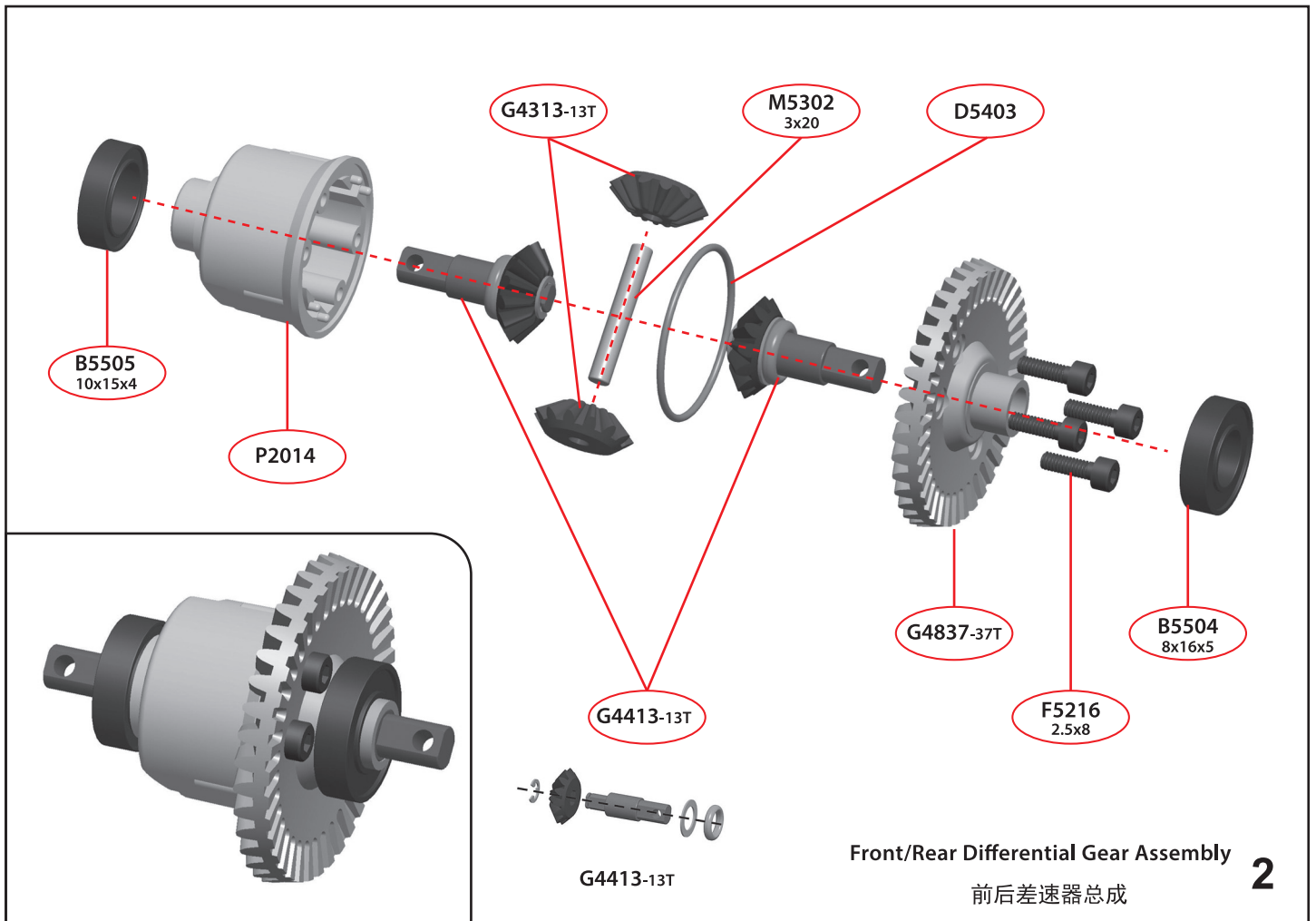


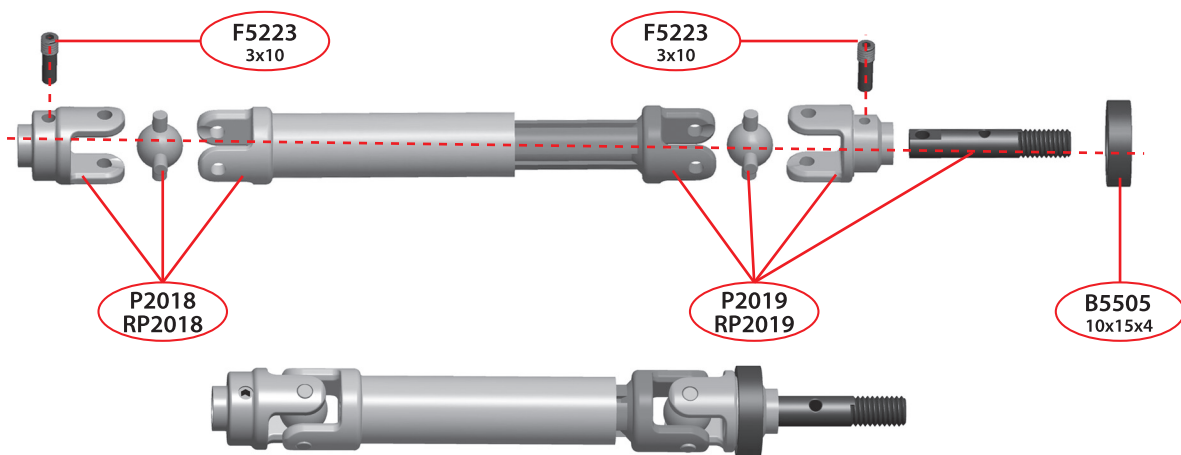
Hex screwdrivers 内六角螺丝刀



Assemble exploded view 装配爆炸图

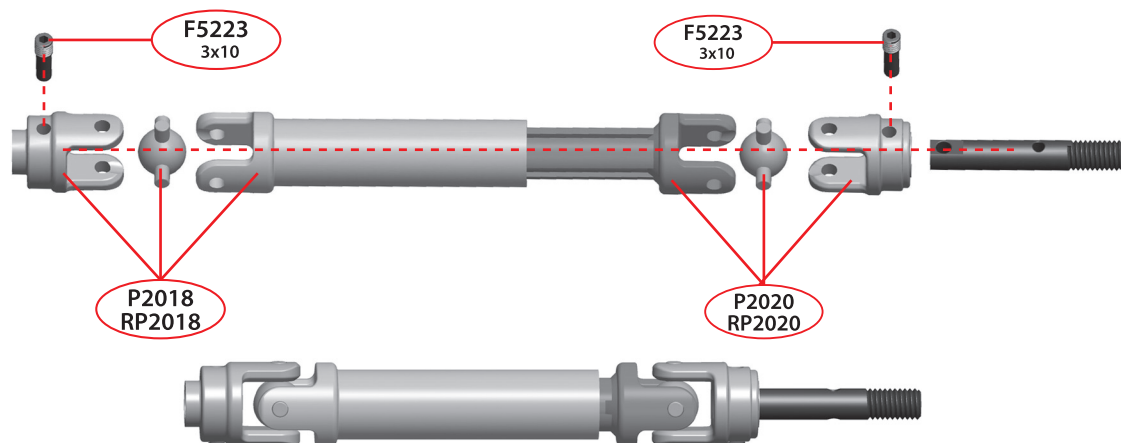






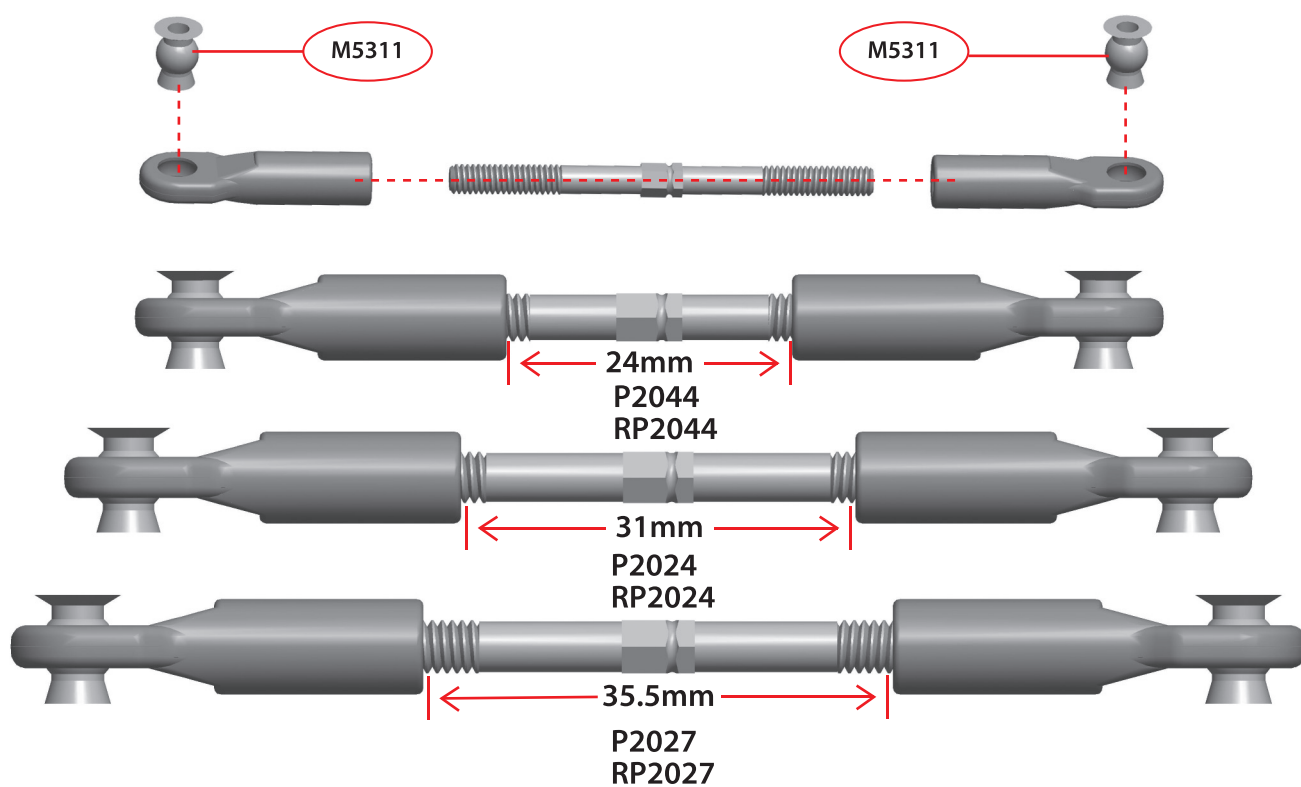
Front Universal Coupling Drive Joint
前万向联轴器总成

4

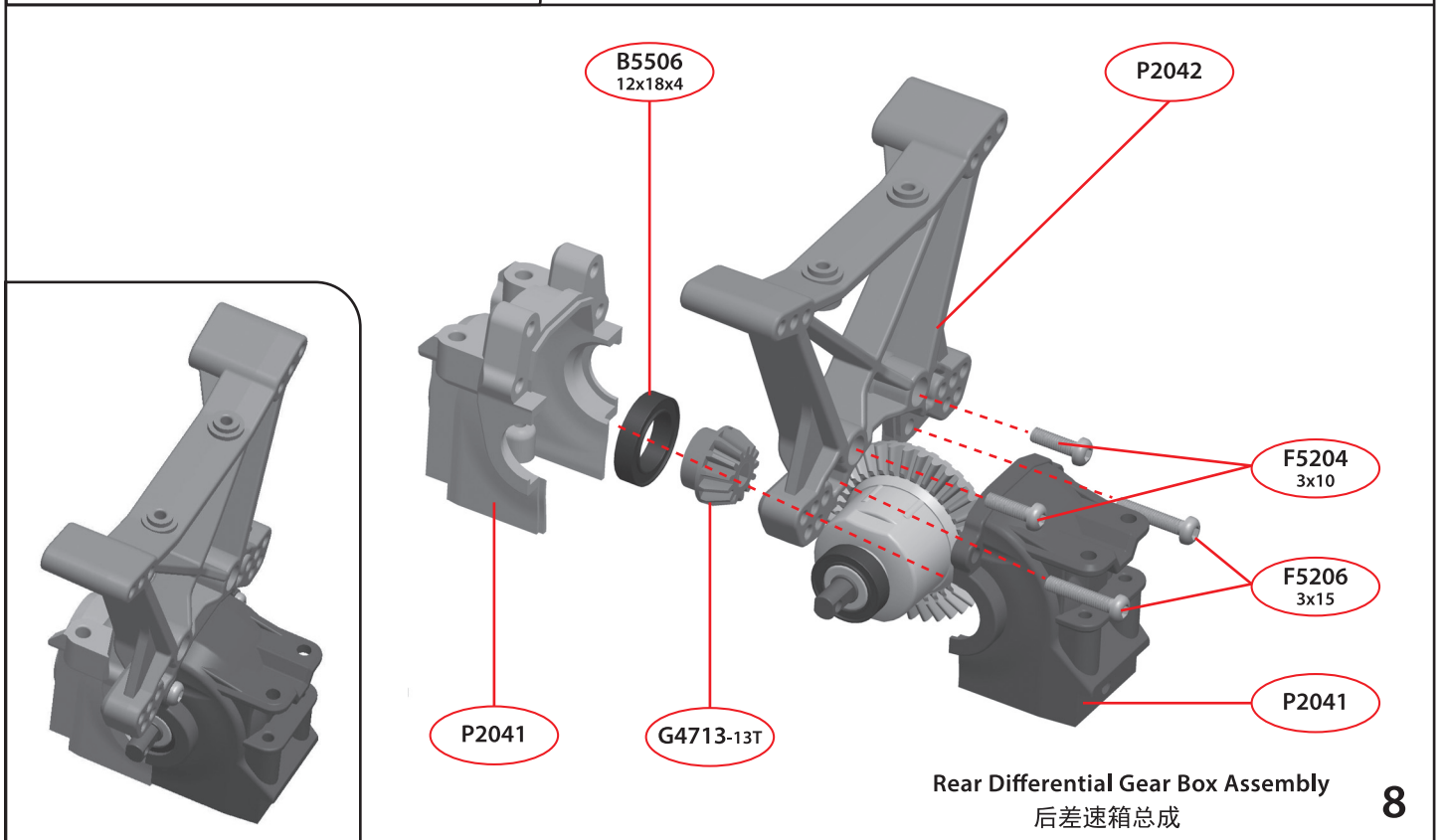
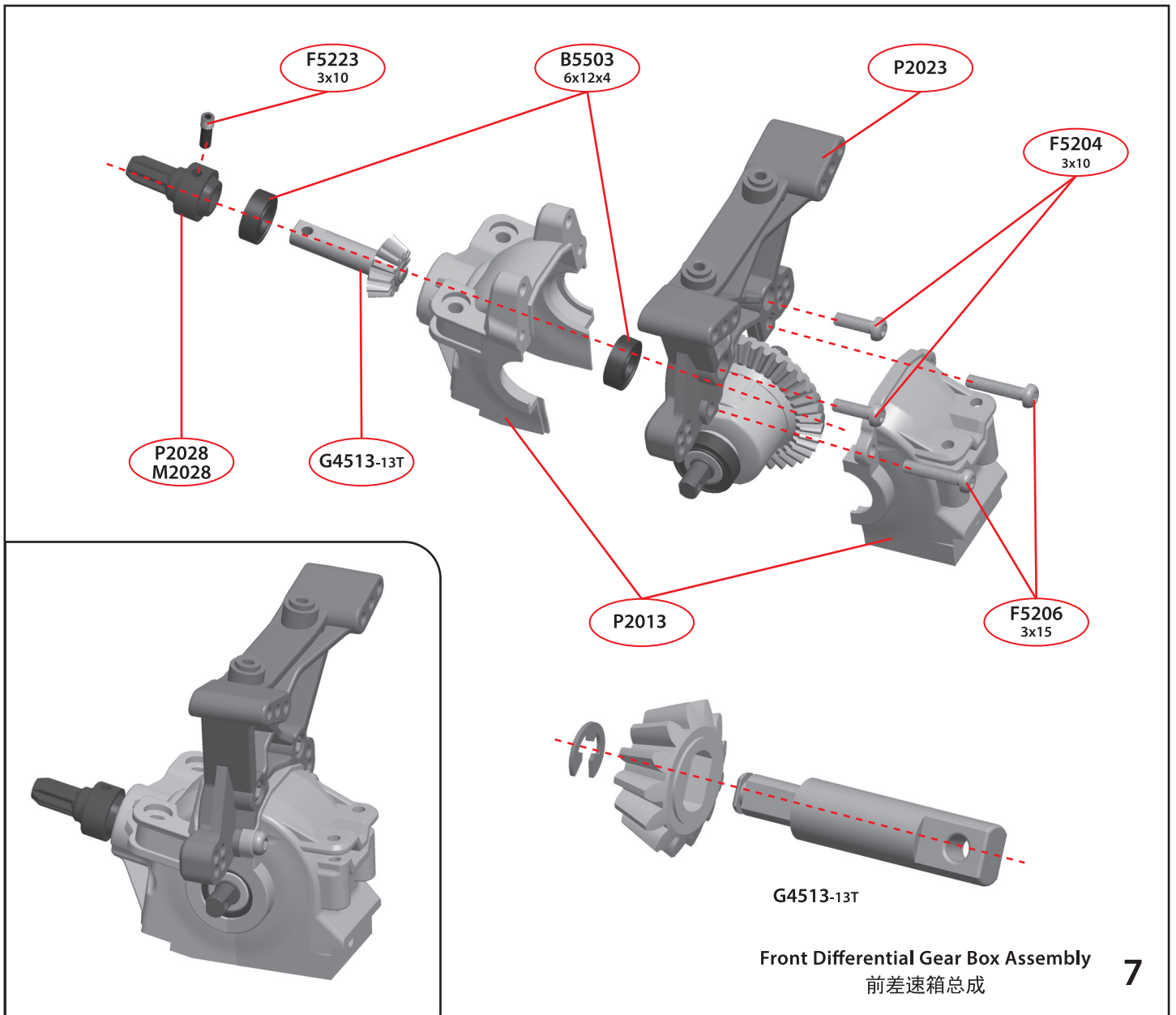


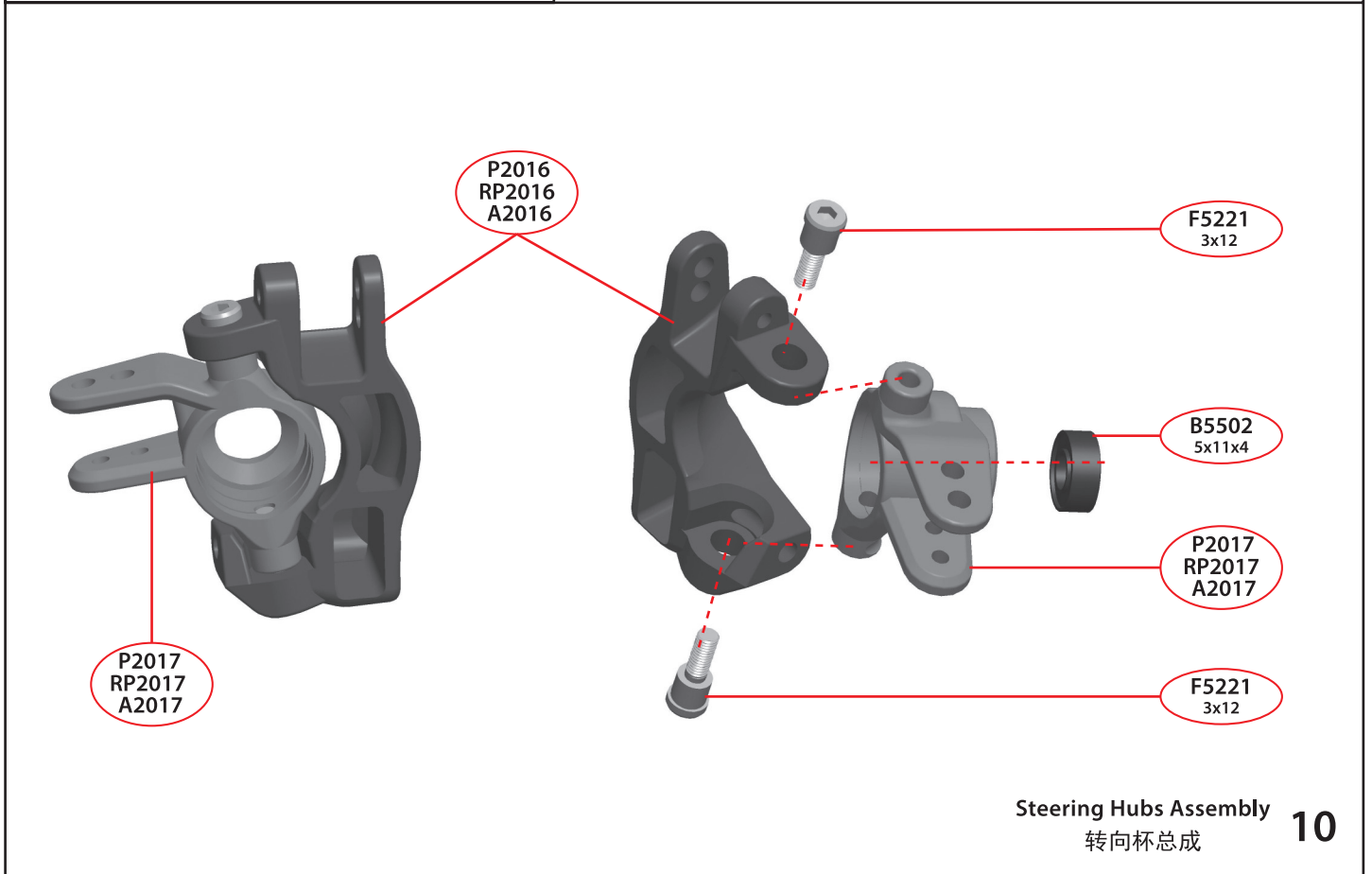
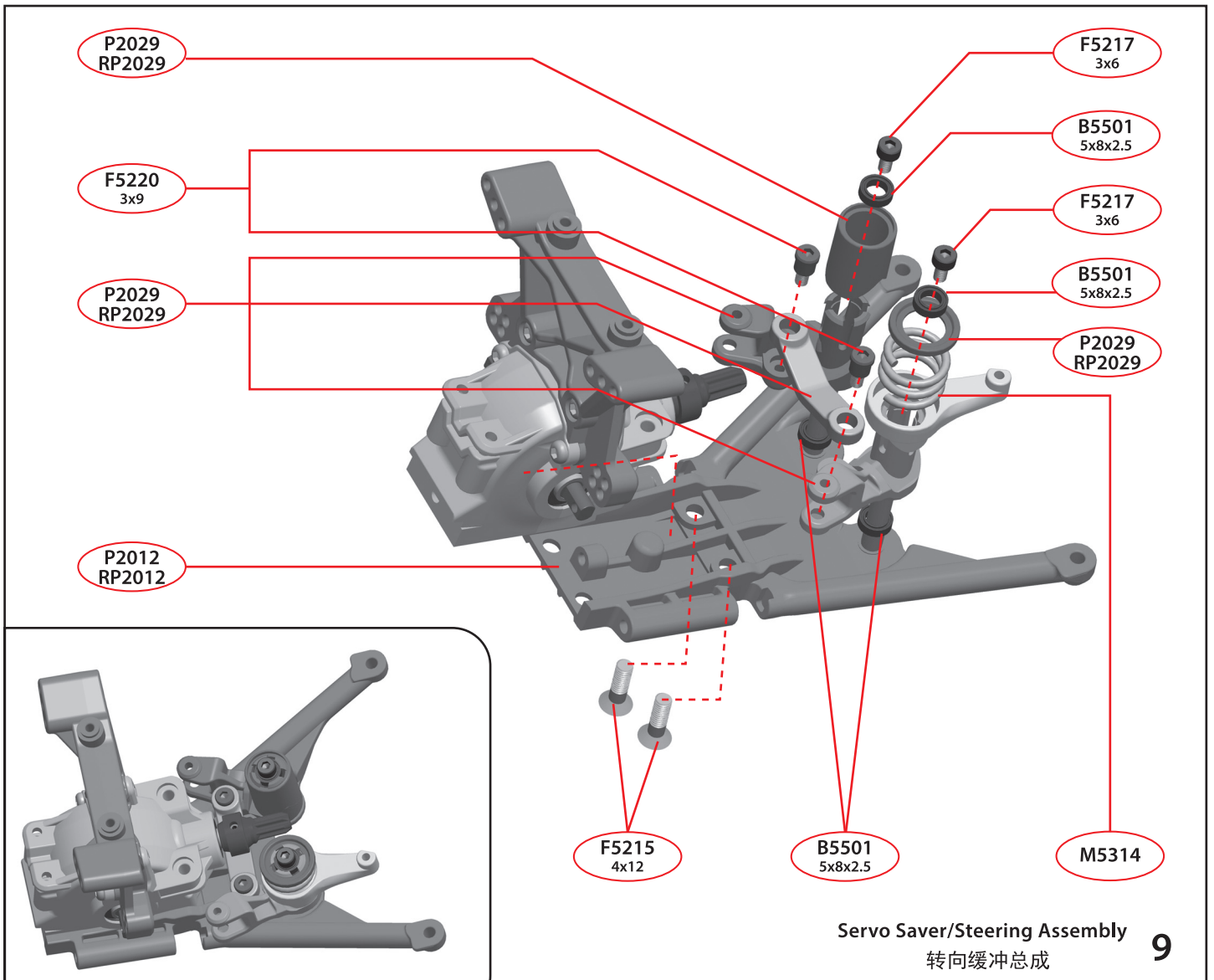
Rear Universal Coupling Drive Joint
后万向联轴器总成

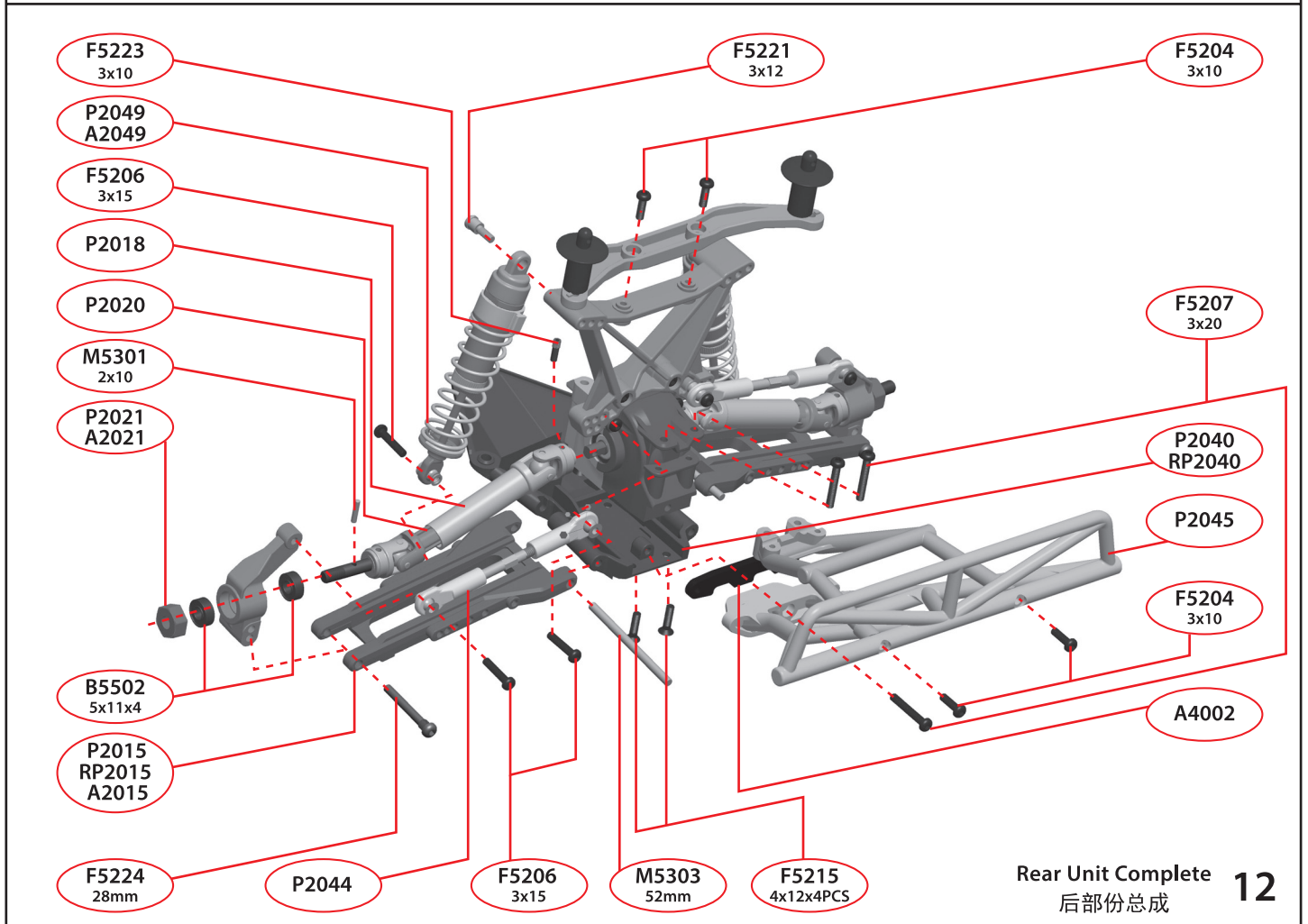
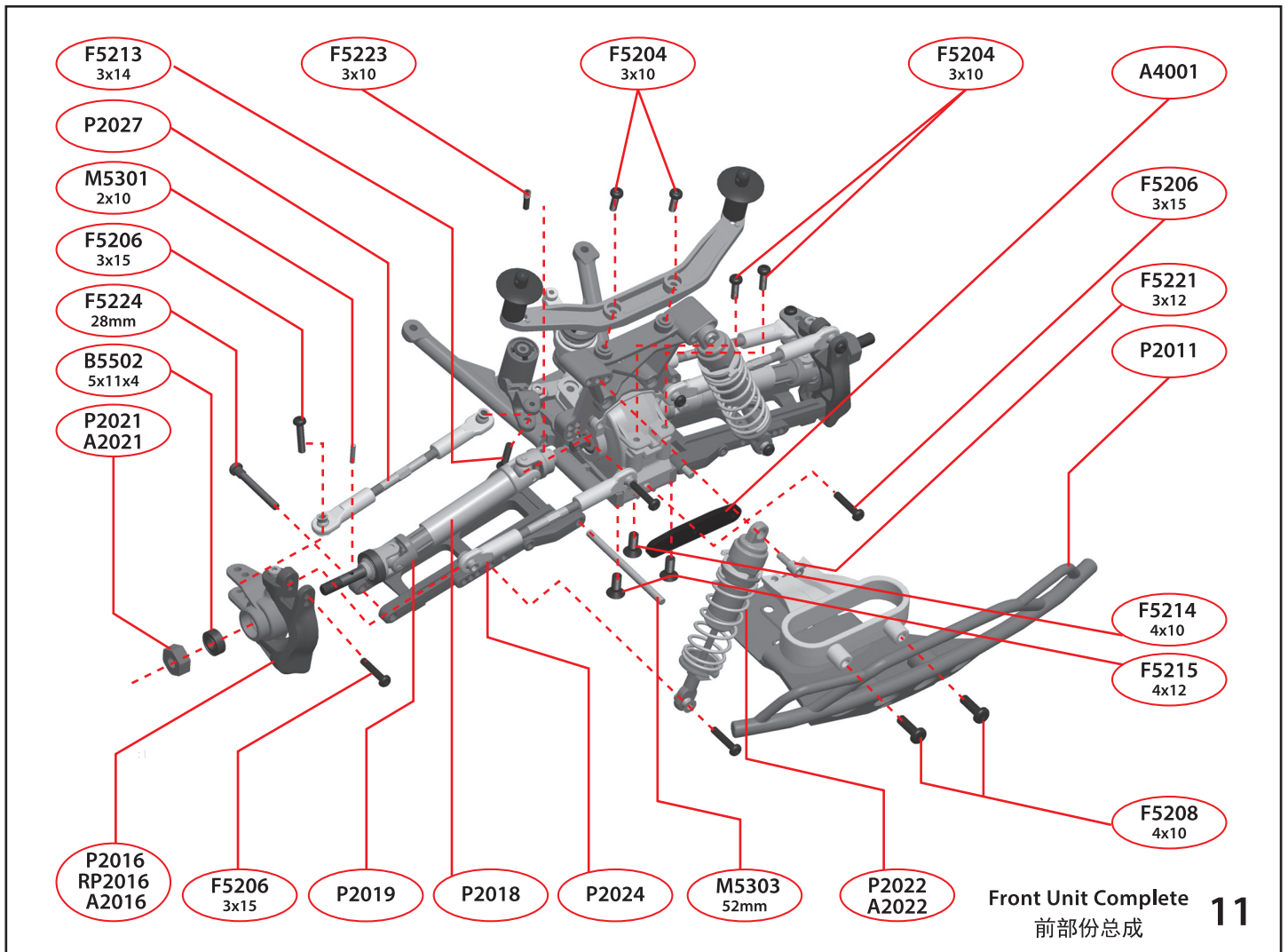
5

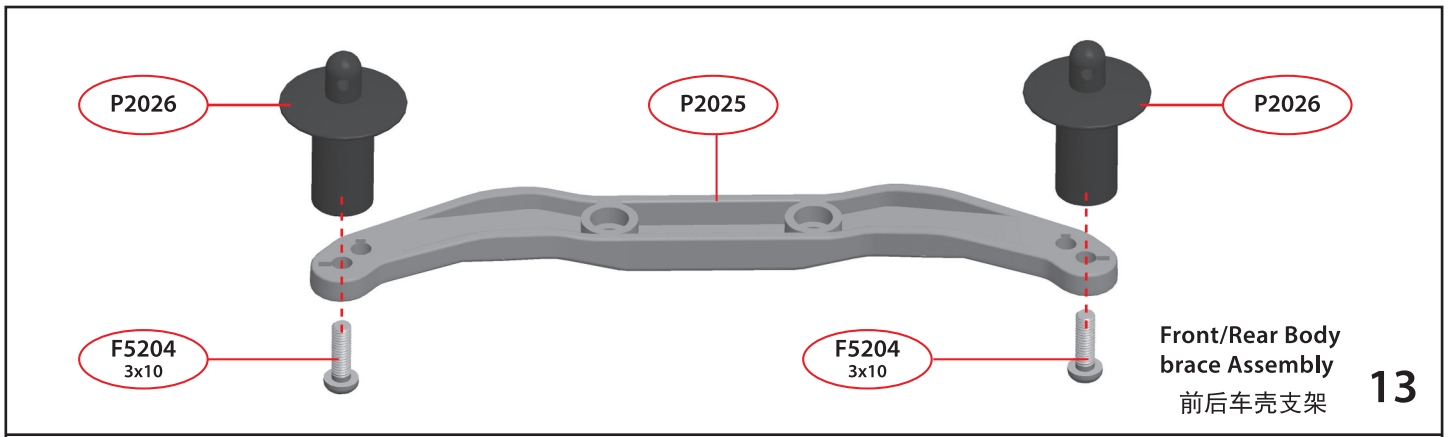


6

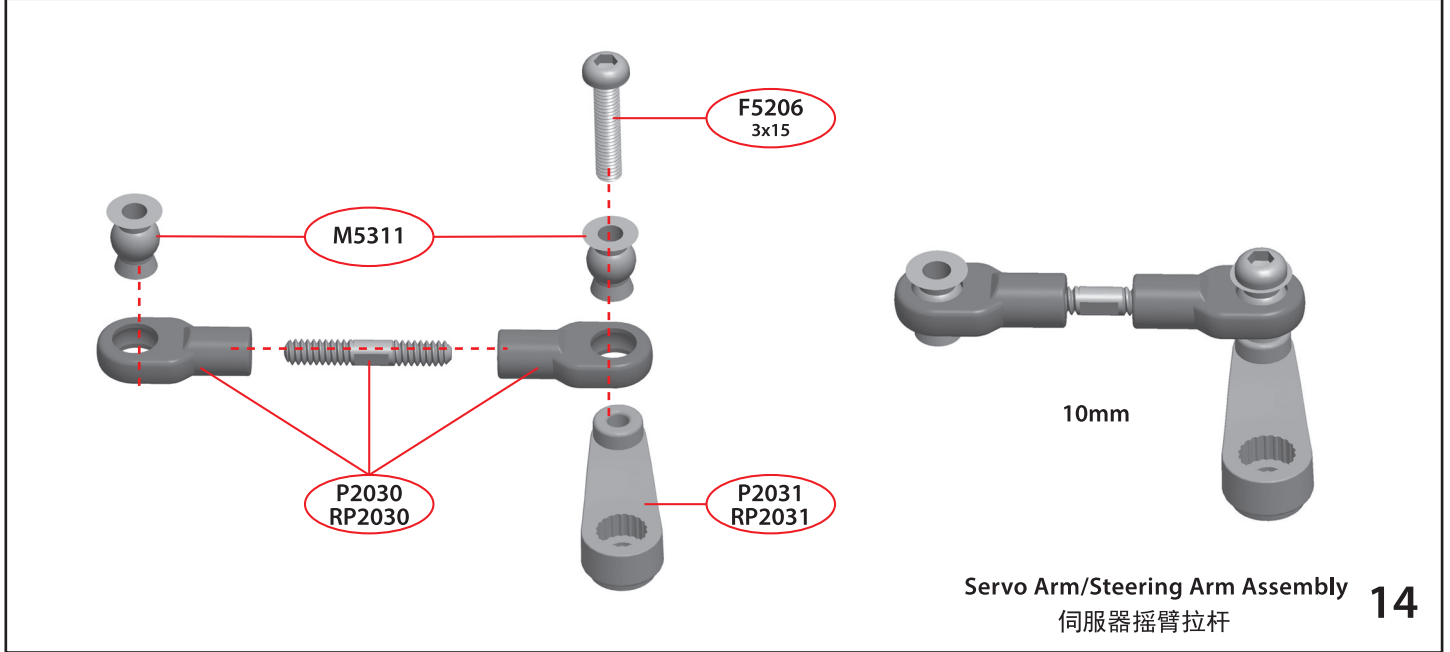




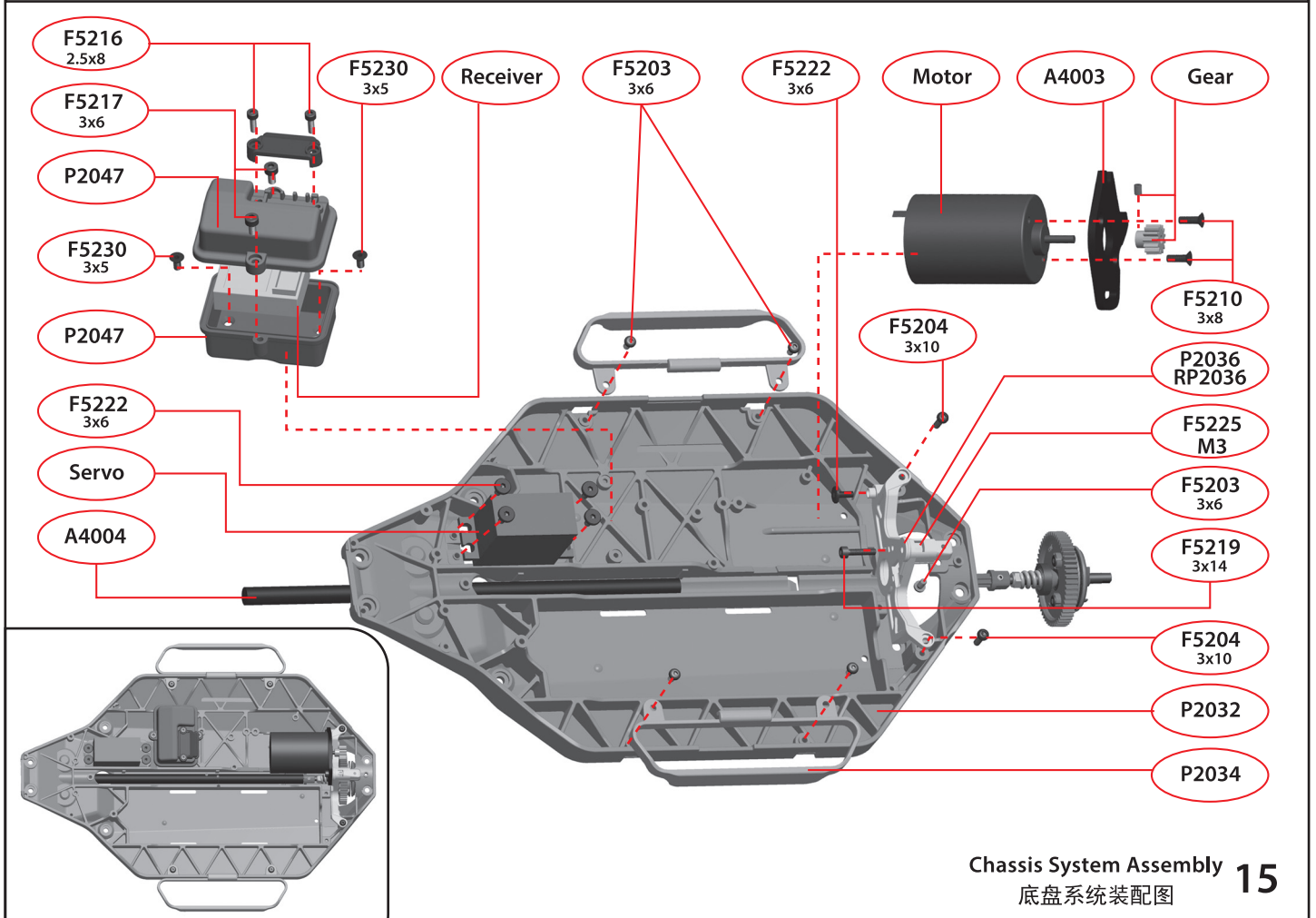




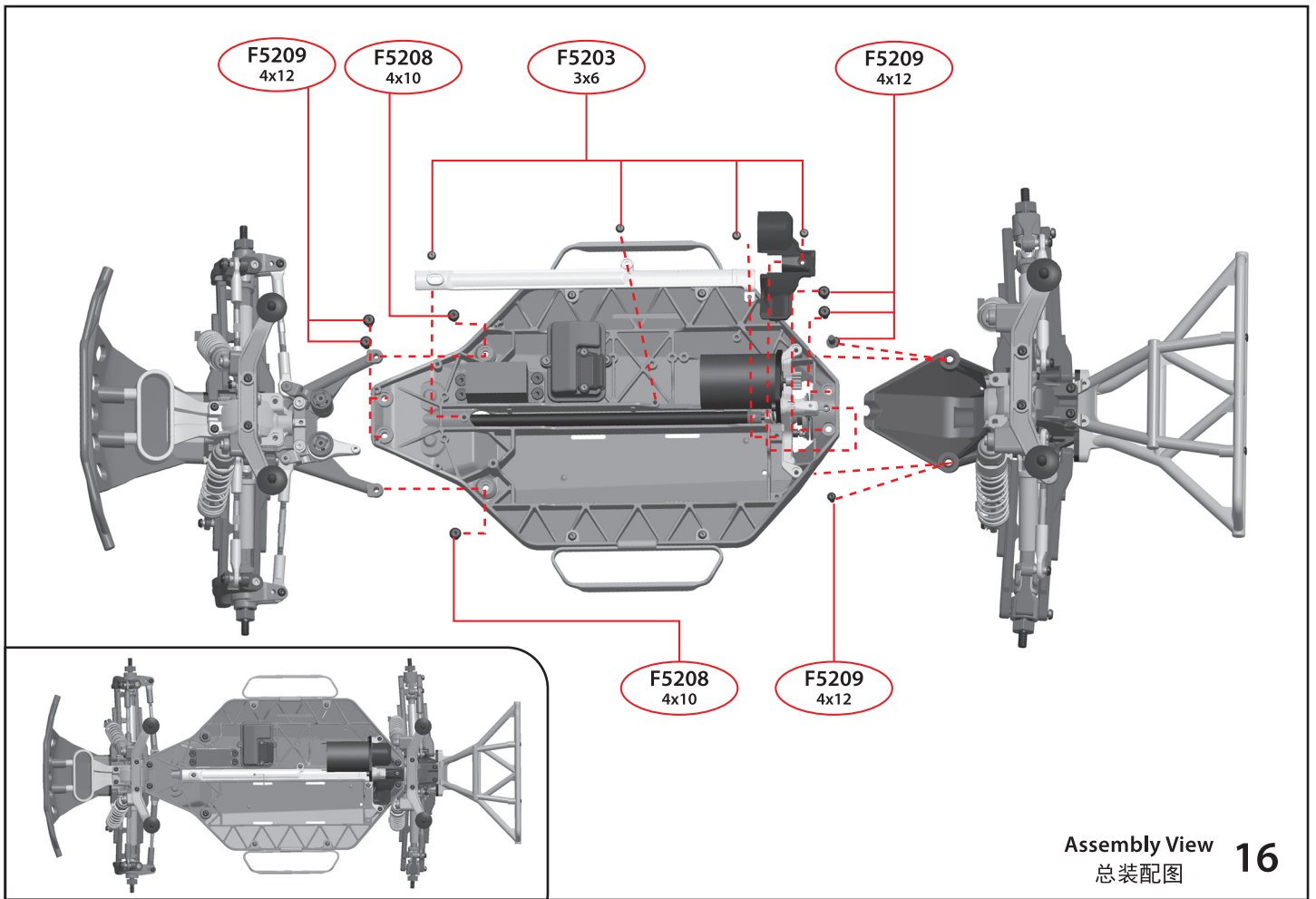
13



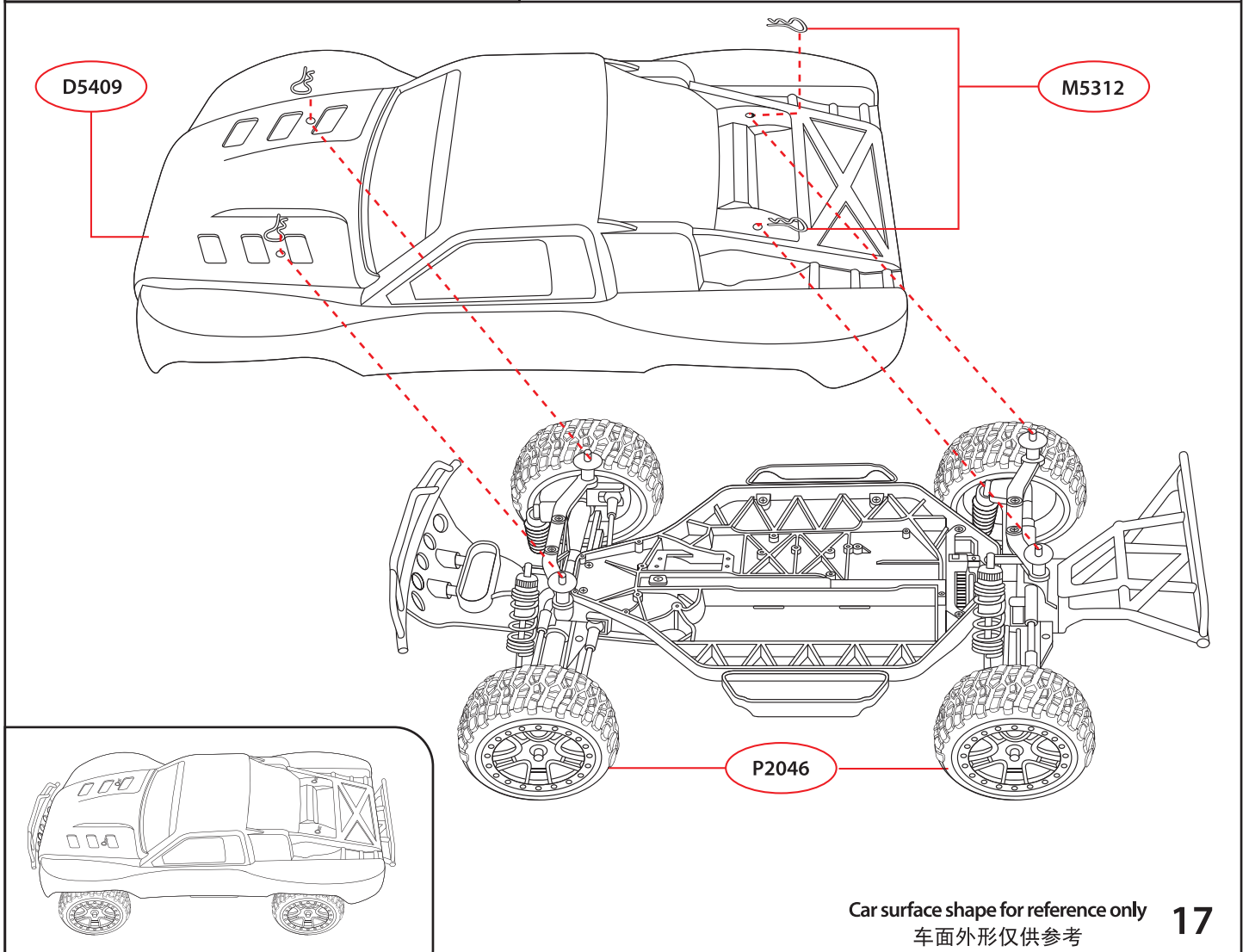
14



15



Assembly View 16
总装配图



Car surface shape for reference only 17
车面外形仅供参考

Sale parts view 配件销售图



P2011

Bumper front
前保险杠



P2012

Bulkhead front
前变速箱座



P2013

Housings differential front
前变速箱壳



P2014

Differential Carrier
差速壳



P2015

Suspension arms
摆臂



P2016

Caster blocks(c-hubs)
C型座



P2017

Steering blocks
转向块



P2018

Universal Coupling Drive Joint
驱动轴管



P2019

Front Universal Coupling Drive Joint
前轮驱动轴管



P2020

Rear Universal Coupling Drive Joint
后轮驱动轴管



P2021

Wheel hubs
轮座固件



P2022

Shock Absorber Assembly front
前避震器



P2023

Shock tower front
前减震器座



P2024

Rod ends front
前拉杆



P2025

Body mount
车身壳架



P2026

Body mount body post
车身壳架立柱



P2027

Steering Rod ends
转向拉杆



P2028

Drive hub center front
前传动接头



P2029

Steering bellcranks
转向缓冲组件



P2030

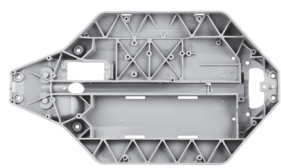
Linkage steering
伺服器拉杆

Sale parts view 配件销售图



P2031

Servo Arm
伺服臂



P2032

Chassis Slash
车底座



P2033

Cover center driveshaft
传动管盖



P2034

Nerf bars chassis
底盘侧杠



P2035

Cover gear
齿轮盖



P2036

Motor mount
马达安装座



P2037

Drive hub center rear
后传动接头



P2038

Bearing adapter
轴承垫



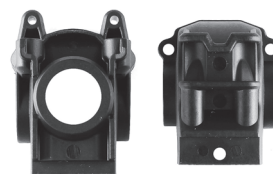
P2039

Slipper pressure plate
摩擦片座



P2040

Bulkhead rear
后差速箱座



P2041

Housings differential rear
后差速箱壳



P2042

Shock tower rear
后减震器座



P2043

Carriers stub axle rear
后轮座



P2044

Rod ends rear
后拉杆



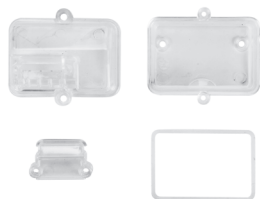
P2045

Bumper rear
后保险架



P2046

Tires
轮胎



P2047

Waterproof Receiver Box
防水电调盒



P2048

Motor wire hold-down clip
电线压夹



P2049

Shock Absorber rear
后避震器



P2050

Cover gear Transparent
透明齿轮盖

Sale parts view 配件销售图



P2051
Shock Guards
减震器护罩



G1854
Spur gear 54T
主从动齿轮 54T



G2813
Moto Gear (Copper) 13T
马达铜齿轮 13T



G2815
Moto Gear (Copper) 15T
马达铜齿轮 15T



G4313
Spider gears
差速器从动齿轮



G4413
Output gears
差速器驱动齿轮



G4513
Front Ring gear
前差速主动齿轮



G4713
Rear Ring gear
后差速主动齿轮



G4837
Ring gear differential
差速从动齿轮



A4001
Bulkhead tie bars front
前摇臂杆铝片



A4002
Bulkhead tie bars rear
后摇臂杆铝片



A4003
Plate motor
马达固定片



A4004
Center Driver Shaft
合金主驱动轴



A4005
Metal plate
电调底板



A4006
Motor Heat Guard
电机散热片



M5313
Slipper clutch spring
摩擦片弹簧



M5314
Servo saver spring
伺服器缓冲弹簧



F5106
Drive shaft
从动齿轮轴



F5203
Screws button-head(M3x6mm)
内六角半圆头螺丝



F5204
Screws button-head(M3x10mm)
内六角半圆头螺丝

Sale parts view 配件销售图



F5205

Screws button-head(M3x12mm)
内六角半圆头螺丝



F5206

Screws button-head(M3x15mm)
内六角半圆头螺丝



F5207

Screws button-head(M3x20mm)
内六角半圆头螺丝



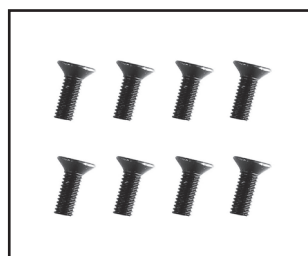
F5208

Screws button-head(M4x10mm)
内六角半圆头螺丝



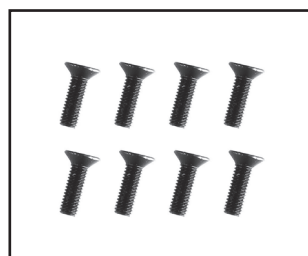
F5209

Screws button-head(M4x12mm)
内六角半圆头螺丝



F5210

Screws countersunk(M3x8mm)
内六角平头螺丝



F5211

Screws countersunk(M3x10mm)
内六角平头螺丝



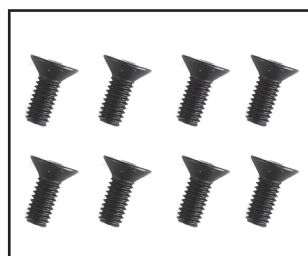
F5212

Screws countersunk(M3x12mm)
内六角平头螺丝



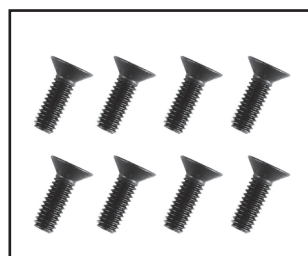
F5213

Screws countersunk(M3x14mm)
内六角平头螺丝



F5214

Screws countersunk(M4x10mm)
内六角平头螺丝



F5215

Screws countersunk(M4x12mm)
内六角平头螺丝



F5230

Screws countersunk(M3x5mm)
内六角平头螺丝



F5216

Screws cap-head(M2.5x8mm)
杯头内六角螺丝



F5217

Screws cap-head(M3x6mm)
杯头内六角螺丝



F5218

Screws cap-head(M3x8mm)
杯头内六角螺丝



F5219

Screws cap-head(M3x14mm)
杯头内六角螺丝



F5220

Shoulder screws(M3x9mm)
内六角台阶螺丝



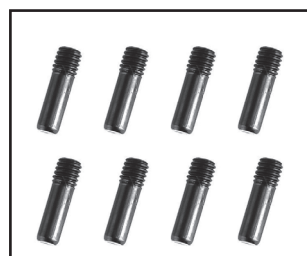
F5221

Shoulder screws(M3x12mm)
内六角台阶螺丝



F5222

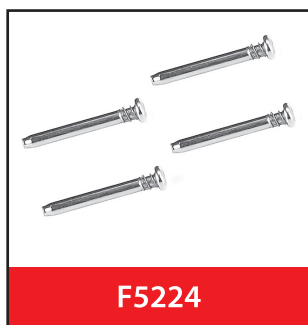
Screws flat-head(M3x6mm)
大平头内六角螺丝



F5223

Screws(M3x10mm)
内六角螺丝

Sale parts view 配件销售图



F5224

Suspension pin set
轮座轴紧固件



F5225

Nylon locking(M3)
防松螺母



F5226

Nylon locking(M4)
防松螺母



F5227

Nylon locking(M5)
防松螺母



B5501

Ball bearings Ø5*Ø8*2.5mm
滚动轴承



B5502

Ball bearings Ø5*Ø11*4mm
滚动轴承



B5503

Ball bearings Ø6*Ø12*4mm
滚动轴承



B5504

Ball bearings Ø8*Ø16*5mm
滚动轴承



B5505

Ball bearings Ø10*Ø15*4mm
滚动轴承



B5506

Ball bearings Ø12*Ø18*4mm
滚动轴承



M5301

Axle pins Ø2*mm10
轴销



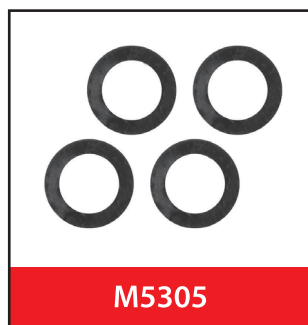
M5302

Axle pins Ø3*mm20
轴销



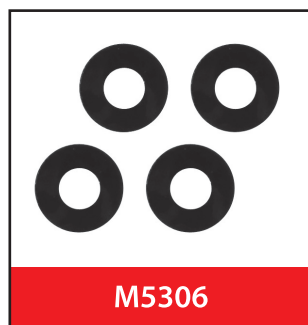
M5303

Suspension pin set
摇臂轴柱



M5305

Washers Ø6*Ø9.5*0.3mm
垫片



M5306

Washers Ø5*Ø8*0.5mm
垫片



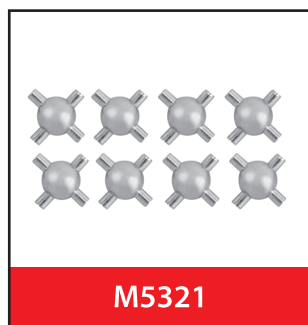
M5317

E-Clip E 2.5
E型卡环



M5311

Hollow balls Ø5.75*8.2mm
球头



M5321

Cross Ball
十字万向球



M2028

Drive hub center front(Metal)
前传动接头(金属)



M2037

Drive hub center rear
金属传动管后接头

Sale parts view 配件销售图



M2039

Slipper pressure plate & hub
(aluminum alloy)
金属磨擦座



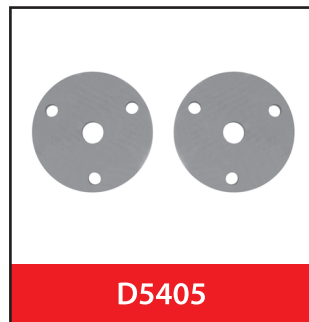
M5322

Spanner
扳手



M5323

Small Cross Tool
小十字套筒



D5405

Slipper clutch
磨擦片



D5406

Battery bandage
电池绑带



D5408

Dust ring
防尘圈



E9222

Battery NiMH SC 7.2V 2500mAh
镍氢电池大田宫头



E9233

Battery NiMH SC 7.2V
3600mAh "T" HEAD
镍氢 T 头电池



E9333

7.4V Li-po 3300mAh Battery
锂电池



E9334

7.4V Li-po 3300mAh Battery
(With Box)
锂电池 (带盒)



E9501

Brush ESC
有刷电调



E9571

Waterproof Hobbywing
Brushed ESC
防水镍氢/锂电有刷电调



E9553

Brushless ESC
无刷刷电调



E9573

Waterproof Brushless ESC
防水无刷刷电调



E9811

Servo
伺服器



E9821

Metal Gear Servo
金属齿轮伺服器



E9651

Motor 550
有刷电机



E9632

Brushless Motor
无刷电机



E9751

2.4G Transmitter
2.4G 发射机



E9752

2.4G Receiver
2.4G 接收器

Sale parts view 配件销售图



E9753

Transmitter 2.4GHZ
富斯2.4G发射机



E9754

Receiver 2.4GHZ
富斯2.4G接收机



E9391

AC/DC Adapter
电源适配器



E9392

Li-Po Balance Charger 2S 7.4V
锂电平衡充电器



A2022

Front Alloy Oil-Filled
Ultra Shocks
合金前避震器



A2049

Rear Alloy Oil-Filled Ultra Shocks
合金后避震器



P2951

Differential Gear Assembly
差速器



P2952

Throttle Gear with Clutch
System Assembly
减速齿轮和磨擦器



D2901

open Short Coursec Body Shell
透明车壳



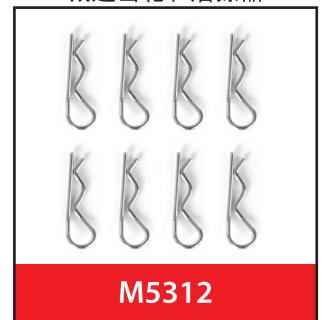
D2902

Red Short Coursec Body Shell
红色车壳



D2903

Blue Short Coursec Body Shell
蓝色车壳



M5312

Body Clips
车壳铁销

Caution:due to technique updates constantly,pictures are for reference only,products are subject to availability.

由于技术不断更新，配件、数据和图片有所不同，以实物为准！